

INDUSTRIAL WALK-IN

UNIT COOLERS & FREEZERS



MEDIUM PROFILE UNIT COOLER (20" FAN)

MP Series Technical Data



MPA Cooler above 34 °F

AIR DEFROST

MODEL	CAPACITY MBH			FAN DATA		MOTORS FULL LOAD AMPERE				R-404a CHARGE LBS
	10° FTD	12° FTD	15° FTD	QTY	CFM	240/1	240/3	480 V	600 V	
MPA-18-02300	23.0	27.6	34.5	1	4400	2.9	2.6	1.3	0.6	3.8
MPA-18-02900	29.0	34.8	43.5	1	4200	2.9	2.6	1.3	0.6	5.1
MPA-18-03200	32.0	38.4	48.0	1	4000	2.9	2.6	1.3	0.6	7.7
MPA-28-04570	45.7	54.8	68.6	2	8800	5.8	5.2	2.6	1.2	7.5
MPA-28-05800	58.0	69.6	87.0	2	8400	5.8	5.2	2.6	1.2	10.0
MPA-28-07000	70.0	84.0	105.0	2	8000	5.8	5.2	2.6	1.2	15.0
MPA-38-07600	76.0	91.2	114.0	3	12450	8.7	7.8	3.9	1.8	25.3
MPA-38-09750	97.5	117.0	146.3	3	11400	8.7	7.8	3.9	1.8	38.0
MPA-48-10600	106.0	127.2	159.0	4	16000	11.6	10.4	5.2	2.4	33.6
MPA-48-12500	125.0	150.0	187.5	4	14300	11.6	10.4	5.2	2.4	50.3

MPE Freezer from -40 °F to 34 °F

ELECTRIC DEFROST

MODEL	CAPACITY MBH				FAN DATA		MOTORS FULL LOAD AMPERE				DEFROST HEATERS				R-404a CHARGE LBS				
	-40 °F SST	-20 °F SST	0 °F SST	+20 °F SST	QTY	CFM	FULL LOAD AMPERE				KILOWATTS								
							240/1	240/3	480V	600V	240/1	240/3	480V	600V		240/1	240/3	480V	600V
MPE-16-02100	16.2	17.9	19.4	21.0	1	4500	2.9	2.6	1.3	0.6	6.0	7.99	5.12	6.0	25.0	19.2	6.2	5.8	3.8
MPE-16-02700	20.8	23.0	25.0	27.0	1	4350	2.9	2.6	1.3	0.6	6.0	7.99	5.12	6.0	25.0	19.2	6.2	5.8	5.1
MPE-16-03000	23.1	25.5	27.8	30.0	1	4200	2.9	2.6	1.3	0.6	6.0	7.99	5.12	6.0	25.0	19.2	6.2	5.8	7.7
MPE-26-04250	32.7	36.1	39.3	42.5	2	8975	5.8	5.2	2.6	1.2	12.0	15.98	10.23	12.0	50.0	38.4	12.3	11.5	7.5
MPE-26-05600	43.1	47.6	51.8	56.0	2	8800	5.8	5.2	2.6	1.2	12.0	15.98	10.23	12.0	50.0	38.4	12.3	11.5	10.0
MPE-26-06600	50.8	56.1	61.1	66.0	2	8400	5.8	5.2	2.6	1.2	12.0	15.98	10.23	12.0	50.0	38.4	12.3	11.5	15.0
MPE-36-07350	56.6	62.5	68.0	73.5	3	12900	8.7	7.8	3.9	1.8	16.8	22.37	14.32	16.8	70.0	53.8	17.2	16.2	25.3
MPE-36-09400	72.4	79.9	87.0	94.0	3	12000	8.7	7.8	3.9	1.8	16.8	22.37	14.32	16.8	70.0	53.8	17.2	16.2	38.0
MPE-46-10000	77.0	85.0	92.5	100.0	4	17430	11.6	10.4	5.2	2.4	22.8	30.36	19.44	22.8	95.0	73.0	23.4	21.9	33.6
MPE-46-12000	92.4	102.0	111.0	120.0	4	16700	11.6	10.4	5.2	2.4	22.8	30.36	19.44	22.8	95.0	73.0	23.4	21.9	50.3

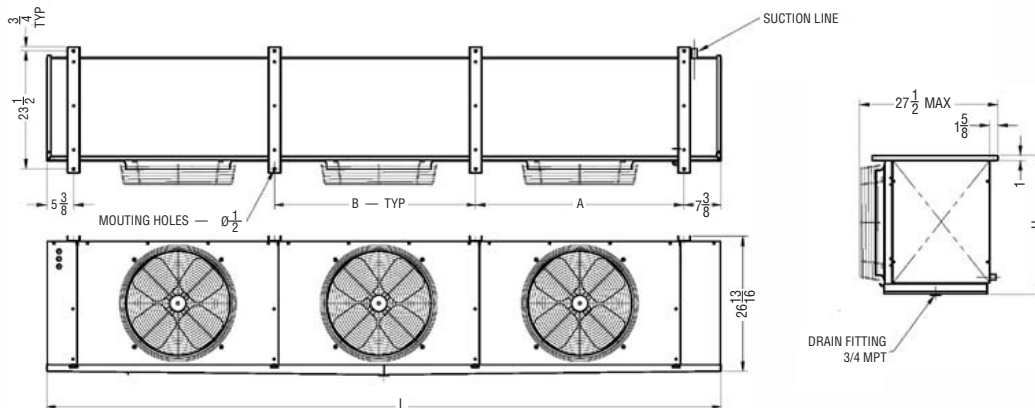
MP(G,H)(E,L) Freezer from -40 °F to 34 °F

GAS DEFROST

MODEL	CAPACITY MBH				FAN DATA		MOTORS FULL LOAD AMPERE				DEFROST HEATERS				R-404a CHARGE LBS				
	-40 °F SST	-20 °F SST	0 °F SST	+20 °F SST	QTY	CFM	FULL LOAD AMPERE				KILOWATTS								
							240/1	240/3	480V	600V	240/1	240/3	480V	600V		240/1	240/3	480V	600V
MP(G,H)-16-02100	16.2	17.9	19.4	21.0	1	4500	2.9	2.6	1.3	0.6	2.0	2.66	1.71	2.0	8.3	6.4	2.1	1.9	3.8
MP(G,H)-16-02700	20.8	23.0	25.0	27.0	1	4350	2.9	2.6	1.3	0.6	2.0	2.66	1.71	2.0	8.3	6.4	2.1	1.9	5.1
MP(G,H)-16-03000	23.1	25.5	27.8	30.0	1	4200	2.9	2.6	1.3	0.6	2.0	2.66	1.71	2.0	8.3	6.4	2.1	1.9	7.7
MP(G,H)-26-04250	32.7	36.1	39.3	42.5	2	8975	5.8	5.2	2.6	1.2	4.0	5.33	3.41	4.0	16.7	12.8	4.1	3.8	7.5
MP(G,H)-26-05600	43.1	47.6	51.8	56.0	2	8800	5.8	5.2	2.6	1.2	4.0	5.33	3.41	4.0	16.7	12.8	4.1	3.8	10.0
MP(G,H)-26-06600	50.8	56.1	61.1	66.0	2	8400	5.8	5.2	2.6	1.2	4.0	5.33	3.41	4.0	16.7	12.8	4.1	3.8	15.0
MP(G,H)-36-07350	56.6	62.5	68.0	73.5	3	12900	8.7	7.8	3.9	1.8	5.6	7.46	4.77	5.6	23.3	17.9	5.7	5.4	25.3
MP(G,H)-36-09400	72.4	79.9	87.0	94.0	3	12000	8.7	7.8	3.9	1.8	5.6	7.46	4.77	5.6	23.3	17.9	5.7	5.4	38.0
MP(G,H)-46-10000	77.0	85.0	92.5	100.0	4	17430	11.6	10.4	5.2	2.4	7.6	10.12	6.48	7.6	31.7	24.3	7.8	7.3	33.6
MP(G,H)-46-12000	92.4	102.0	111.0	120.0	4	16700	11.6	10.4	5.2	2.4	7.6	10.12	6.48	7.6	31.7	24.3	7.8	7.3	50.3

MEDIUM PROFILE UNIT COOLER (20" FAN)

MP Series Physical Data



LIQ O.D. CONNECTION FOR LOW TEMPERATURE R-404 a	
MODEL	SIZE
MP(E,G,H)-16-02100	7/8
MP(E,G,H)-16-02700	7/8
MP(E,G,H)-16-03000	7/8
MP(E,G,H)-26-04250	7/8
MP(E,G,H)-26-05600	7/8
MP(E,G,H)-26-06600	1 3/8
MP(E,G,H)-36-07350	1 3/8
MP(E,G,H)-36-09400	1 3/8
MP(E,G,H)-46-10000	1 3/8
MP(E,G,H)-46-12000	1 3/8

PHYSICAL DATA

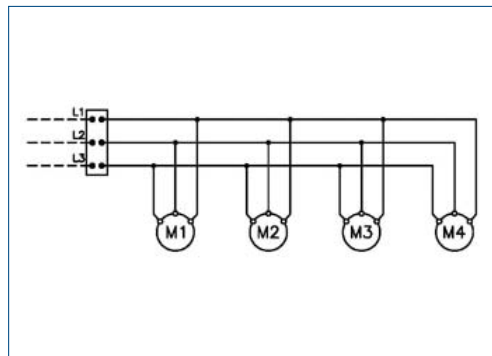
MODEL	SHIPPING WEIGHT LBS	MODEL	SHIPPING WEIGHT LBS	MODEL	SHIPPING WEIGHT LBS	UNIT SIZE INCHES				CONNECTIONS MED. TEMPERATURE		
						L	H	A	B	LIQ O.D.	SUCT O.D.	HOT GAS
MPA-18-02300	219	MPE-16-02100	266	MP(G,H)-16-02100	230	59 1/4	27*	46 1/2	45	1/2	1 1/8	7/8
MPA-18-02900	235	MPE-16-02700	277	MP(G,H)-16-02700	245	59 1/4	27*	46 1/2	45	1/2	1 1/8	7/8
MPA-18-03200	254	MPE-16-03000	306	MP(G,H)-16-03000	265	59 1/4	27*	46 1/2	45	5/8	1 1/8	7/8
MPA-28-04570	394	MPE-26-04250	477	MP(G,H)-26-04250	405	104 1/4	27 1/2*	46 1/2	45	5/8	1 3/8	1 1/8
MPA-28-05800	419	MPE-26-05600	504	MP(G,H)-26-05600	430	104 1/4	27 1/2*	46 1/2	45	7/8	1 3/8	1 1/8
MPA-28-07000	459	MPE-26-06600	563	MP(G,H)-26-06600	470	104 1/4	27 1/2*	46 1/2	45	7/8	1 5/8	1 1/8
MPA-38-07600	623	MPE-36-07350	754	MP(G,H)-36-07350	630	134 1/4	27 1/2*	41 1/2	40	7/8	1 5/8	1 3/8
MPA-38-09750	793	MPE-36-09400	960	MP(G,H)-36-09400	680	134 1/4	27 1/2*	41 1/2	40	7/8	1 5/8	1 3/8
MPA-48-10600	827	MPE-46-10000	980	MP(G,H)-46-10000	835	174 1/4	27 3/4*	41 1/2	40	7/8	1 5/8	1 3/8
MPA-48-12500	830	MPE-46-12000	989	MP(G,H)-46-12000	900	174 1/4	27 3/4*	41 1/2	40	7/8	1 5/8	1 3/8

*NOTE: Add 1-1/16" if you have a hot gas loop in drain pan

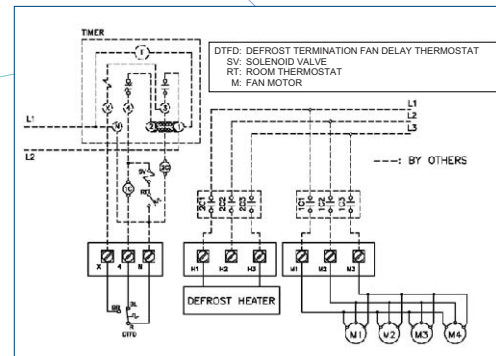
- For 8 to 6 fpi multiply capacity by 0.90
- For 8 to 4 fpi multiply capacity by 0.75
- For 6 to 4 fpi multiply capacity by 0.85
- Multiply R-404a refrigerant charge by 1.09 if R-22 or R-134a is used.
- For 50 Hz derate tabulated capacity by 12%.
- MPGL model is for reverse cycle defrost with hot gas drain pan. MPHJ model is for three pipes defrost and hot gas drain pan
- MPGE model is for reverse cycle defrost and electric defrost in pan. MPHE model is for three pipes defrost and electric defrost in pan
- Add suffix "2" to model number for 208-230/1/60 (MP(A,GL) only), suffix "5" for 208-230/3/60, suffix "9" for 480/3/60 and suffix "8" for 600/3/60.

Wiring Diagram

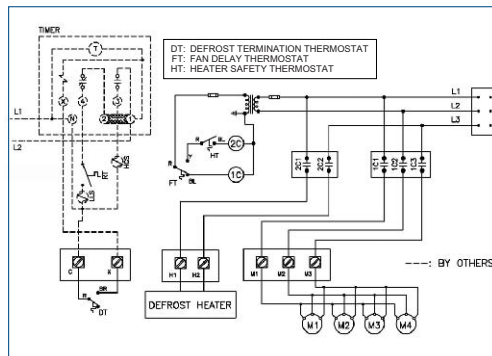
MP, HPA



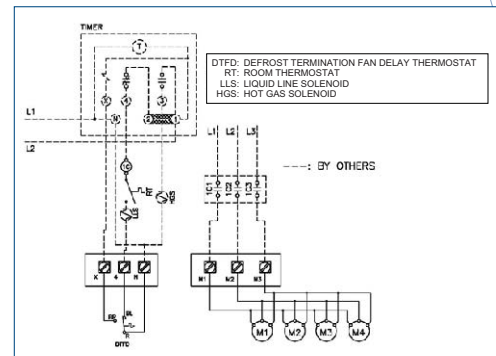
MP, HP, JPE : Electric Defrost



MP, HP, JP (GH)E



MP, HP, JP (GH)L



HIGH PROFILE UNIT COOLER (30" FAN)

HP Series Technical Data



- For 8 to 6 fpi multiply capacity by 0.90
- For 8 to 4 fpi multiply capacity by 0.75
- For 6 to 4 fpi multiply capacity by 0.85
- Multiply R-404a refrigerant charge by 1.09 if R-22 or R-134a is used.
- For 50 Hz derate tabulated capacity by 12%.
- HPGL model is for reverse cycle defrost with hot gas drain pan. HPHL model is for three pipes defrost and hot gas drain pan
- HPGE model is for reverse cycle defrost and electric defrost in pan. HPHE model is for three pipes defrost and electric defrost in pan
- Add suffix "5" to model number for 208-230/3/60, suffix "9" for 480/3/60 and suffix "8" for 600/3/60.

HPA Cooler above 34 °F



AIR DEFROST

MODEL	CAPACITY BTU/H			FAN DATA		MOTORS FULL LOAD AMPERE			R-404a CHARGE LBS
	10° FTD	12° FTD	15° FTD	QTY	CFM	240V	480V	600V	
HPA-18-04500	45.0	54.0	67.5	1	8700	4.0	2.0	1.6	7.7
HPA-18-05800	58.0	69.6	87.0	1	8400	4.0	2.0	1.6	10.3
HPA-18-06400	64.0	76.8	96.0	1	7450	4.0	2.0	1.6	15.4
HPA-28-09200	92.0	110.4	138.0	2	17400	8.0	4.0	3.2	15.0
HPA-28-11600	116.0	139.2	174.0	2	16800	8.0	4.0	3.2	20.0
HPA-28-13000	130.0	156.0	195.0	2	14900	8.0	4.0	3.2	57.0
HPA-38-16000	160.0	192.0	240.0	3	24900	12.0	6.0	4.8	51.0
HPA-38-19000	190.0	228.0	285.0	3	22000	12.0	6.0	4.8	76.0
HPA-48-25200	252.0	302.4	378.0	4	28200	16.0	8.0	6.4	100.0

HPE Freezer from -40 °F to 34 °F

ELECTRIC DEFROST

MODEL	CAPACITY MBH				FAN DATA		MOTORS FULL LOAD AMPERE			DEFROST HEATERS						R-404a CHARGE LBS
	-40 °F SST	-20 °F SST	0 °F SST	+20 °F SST	QTY	CFM	FULL LOAD AMPERE			KILOWATTS			FULL LOAD AMPERE			
							240V	480V	600V	240V	480V	600V	240V	480V	600V	
HPE-16-04000	30.8	34.0	37.0	40.0	1	9000	4.4	2.0	1.6	11.98	7.67	9.0	28.8	9.2	8.7	7.7
HPE-16-05150	39.7	43.8	47.6	51.5	1	8600	4.4	2.0	1.6	15.98	10.2	12.0	38.4	12.3	11.5	10.3
HPE-16-06000	46.2	51.0	55.5	60.0	1	8000	4.4	2.0	1.6	15.98	10.2	12.0	38.4	12.3	11.5	15.4
HPE-26-08200	63.1	69.7	75.9	82.0	2	18000	8.8	4.0	3.2	23.96	15.4	18.0	57.6	18.5	17.3	15.0
HPE-26-10200	78.5	86.7	94.4	102.0	2	17200	8.8	4.0	3.2	31.95	20.5	24.0	76.9	24.6	23.1	20.0
HPE-26-12400	95.5	105.4	114.7	124.0	2	16000	8.8	4.0	3.2	31.95	20.5	24.0	76.9	24.6	23.1	57.0
HPE-36-14000	107.8	119.0	129.5	140.0	3	24900	13.2	6.0	4.8	44.73	28.6	33.6	107.6	34.5	32.3	51.0
HPE-36-18200	140.1	154.7	168.4	182.0	3	23900	13.2	6.0	4.8	44.73	28.6	33.6	107.6	34.5	32.3	76.0
HPE-46-24400	187.9	207.4	225.7	244.0	4	30600	17.6	8.0	6.4	60.71	38.9	45.6	146.0	46.8	43.9	100.0

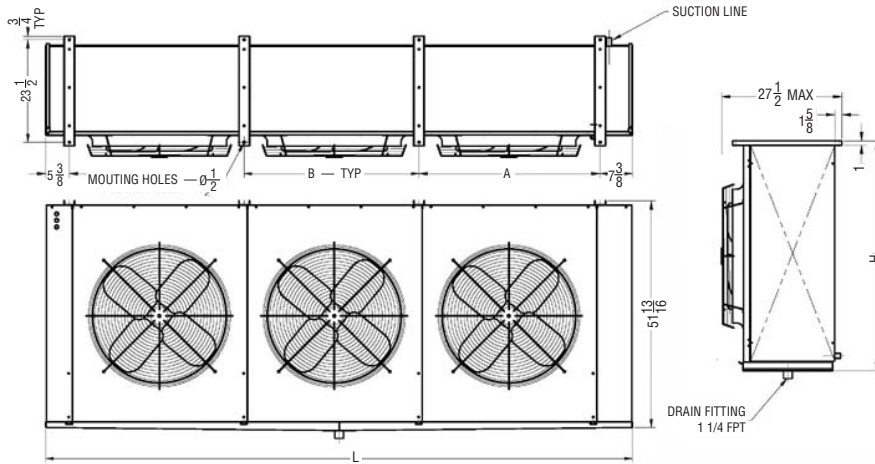
HP (G,H)(E,L) Freezer from -40 °F to 34 °F

GAS DEFROST

MODEL	CAPACITY MBH				FAN DATA		MOTORS FULL LOAD AMPERE			DEFROST HEATERS						R-404a CHARGE LBS
	-40 °F SST	-20 °F SST	0 °F SST	+20 °F SST	QTY	CFM	FULL LOAD AMPERE			KILOWATTS			FULL LOAD AMPERE			
							240V	480V	600V	240V	480V	600V	240V	480V	600V	
HP(G,H)-16-04000	30.8	34.0	37.0	40.0	1	9000	4.4	2.0	1.6	2.66	1.71	2.0	6.4	2.1	1.9	7.7
HP(G,H)-16-05150	39.7	43.8	47.6	51.5	1	8600	4.4	2.0	1.6	2.66	1.71	2.0	6.4	2.1	1.9	10.3
HP(G,H)-16-06000	46.2	51.0	55.5	60.0	1	8000	4.4	2.0	1.6	2.66	1.71	2.0	6.4	2.1	1.9	15.4
HP(G,H)-26-08200	63.1	69.7	75.9	82.0	2	18000	8.8	4.0	3.2	5.33	3.41	4.0	12.8	4.1	3.8	15.0
HP(G,H)-26-10200	78.5	86.7	94.4	102.0	2	17200	8.8	4.0	3.2	5.33	3.41	4.0	12.8	4.1	3.8	20.0
HP(G,H)-26-12400	95.5	105.4	114.7	124.0	2	16000	8.8	4.0	3.2	5.33	3.41	4.0	12.8	4.1	3.8	57.0
HP(G,H)-36-14000	107.8	119.0	129.5	140.0	3	24900	13.2	6.0	4.8	7.46	4.77	5.6	17.9	5.7	5.4	51.0
HP(G,H)-36-18200	140.1	154.7	168.4	182.0	3	23900	13.2	6.0	4.8	7.46	4.77	5.6	17.9	5.7	5.4	76.0
HP(G,H)-46-24400	187.9	207.4	225.7	244.0	4	30600	17.6	8.0	6.4	10.12	6.48	7.6	24.3	7.8	7.3	100.0

HIGH PROFILE UNIT COOLER (30" FAN)

HP Series Physical Data



LIQ O.D. CONNECTION FOR LOW TEMPERATURE R-404 a	
MODEL	SIZE
HP(E,G,H)-16-04000	7/8
HP(E,G,H)-16-05150	7/8
HP(E,G,H)-16-06000	1 3/8
HP(E,G,H)-26-08200	1 3/8
HP(E,G,H)-26-10200	1 5/8
HP(E,G,H)-26-12400	1 3/8
HP(E,G,H)-36-14000	1 3/8
HP(E,G,H)-36-18200	1 3/8
HP(E,G,H)-46-24400	(2) 1 3/8

PHYSICAL DATA

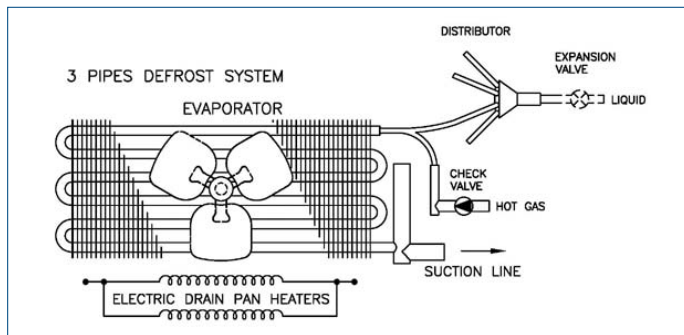
MODEL	SHIPPING WEIGHT LBS	MODEL	SHIPPING WEIGHT LBS	MODEL	SHIPPING WEIGHT LBS	UNIT SIZE INCHES				CONNECTIONS MED. TEMPERATURE		
						L	H	A	B	LIQ O.D.	SUCT O.D.	HOT GAS
HPA-18-04500	504	HPE-16-04000	588	HP(G,H)-16-04000	500	59 1/4	52*	46 1/2	45	7/8	1 3/8	1 1/8
HPA-18-05800	519	HPE-16-05150	613	HP(G,H)-16-05150	520	59 1/4	52*	46 1/2	45	7/8	1 3/8	1 1/8
HPA-18-06400	569	HPE-16-06000	668	HP(G,H)-16-06000	565	59 1/4	52*	46 1/2	45	7/8	1 3/8	1 1/8
HPA-28-09200	839	HPE-26-08200	1000	HP(G,H)-26-08200	835	104 1/4	52 1/2*	46 1/2	45	7/8	1 5/8	1 3/8
HPA-28-11600	889	HPE-26-10200	1064	HP(G,H)-26-10200	880	104 1/4	52 1/2*	46 1/2	45	7/8°	1 5/8	1 3/8
HPA-28-13000	969	HPE-26-12400	1160	HP(G,H)-26-12400	970	104 1/4	52 1/2*	46 1/2	45	1 1/8	1 5/8	1 3/8
HPA-38-16000	1250	HPE-36-14000	1507	HP(G,H)-36-14000	1280	134 1/4	52 1/2*	41 1/2	40	1 1/8	2 1/8	1 3/8
HPA-38-19000	1350	HPE-36-18200	1628	HP(G,H)-36-18200	1375	134 1/4	52 1/2*	41 1/2	40	1 3/8	2 1/8	1 5/8
HPA-48-25200	1895	HPE-46-24400	2052	HP(G,H)-46-24400	1940	174 1/4	52-1/2*	41 1/2	40	(2) 7/8	(2) 1 5/8	(2) 1 3/8

*NOTE: Add 1-1/16" if you have a hot gas loop in drain pan

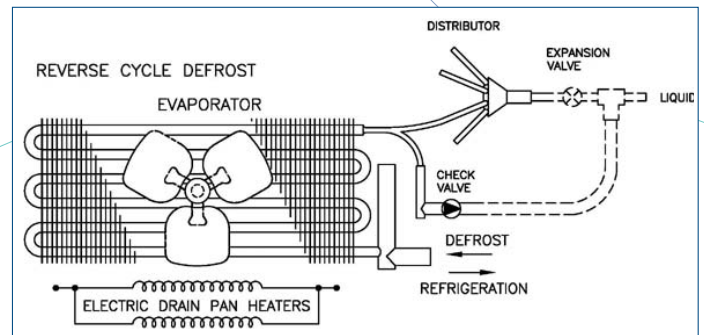
° NOTE: R-404 a connection 1 3/8

Piping Diagram

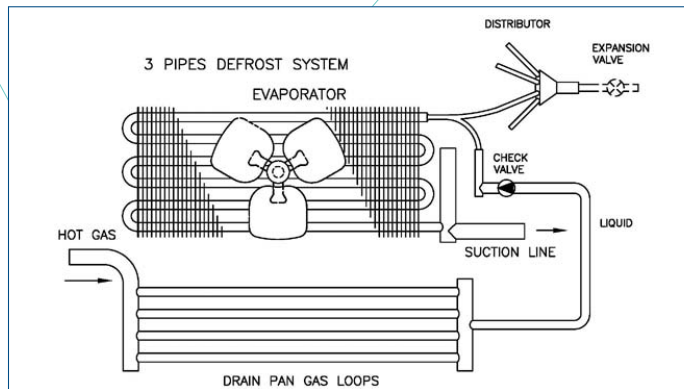
MP, HP, JP(HE)



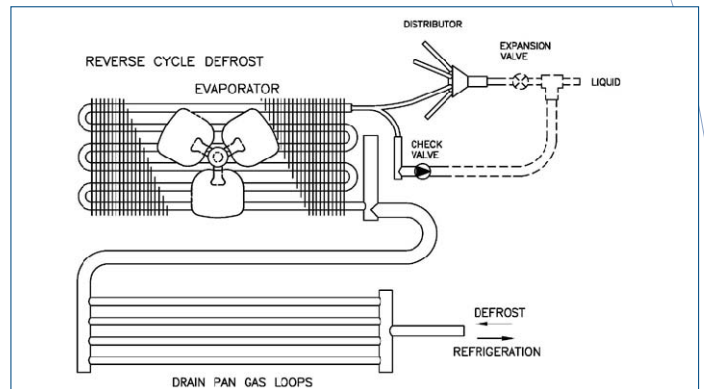
MP, HP, JP(GE)



MP, HP, JP(HL)



MP, HP, JP(L)(GL)



HIGH VELOCITY UNIT COOLER (30" FAN)

JP Series Technical Data



- For 4 fpi multiply capacity by 0.85
- Multiply R-404a refrigerant charge by 1.09 if R-22 or R-134a is used.
- For 50 Hz derate tabulated capacity by 12%.
- Add suffix "5" to model number for 208-230/3/60, suffix "9" for 480/3/60 and suffix "8" for 600/3/60.

JPE Freezer from -40 °F to 34 °F

ELECTRIC DEFROST

MODEL	CAPACITY BTU/H				FAN DATA		MOTORS FULL LOAD AMPERE			DEFROST HEATERS						R-404a CHARGE LBS
	-40 °F SST	-20 °F SST	0 °F SST	+20 °F SST						KILOWATTS			FULL LOAD AMPERE			
	QTY	CFM	240V	480V	600V	240V	480V	600V	240V	480V	600V	240V	480V	600V		
JPE-16-04400	33.9	37.4	40.7	44.0	1	11325	6.0	3.0	2.6	11.98	7.67	9.0	28.8	9.2	8.7	7.7
JPE-16-05800	44.7	49.3	53.7	58.0	1	10875	6.0	3.0	2.6	15.98	10.2	12.0	38.4	12.3	11.5	10.3
JPE-16-06800	52.4	57.8	62.9	68.0	1	10040	6.0	3.0	2.6	15.98	10.2	12.0	38.4	12.3	11.5	15.4
JPE-26-09100	70.1	77.4	84.2	91.0	2	22650	12.0	6.0	5.2	23.96	15.4	18.0	57.6	18.5	17.3	15.0
JPE-26-11400	87.8	96.9	105.5	114.0	2	21620	12.0	6.0	5.2	31.95	20.5	24.0	76.9	24.6	23.1	38.0
JPE-26-13200	101.6	112.2	122.1	132.0	2	19920	12.0	6.0	5.2	31.95	20.5	24.0	76.9	24.6	23.1	57.0
JPE-36-16200	124.7	137.7	149.9	162.0	3	31170	18.0	9.0	7.8	44.73	28.6	33.6	107.6	34.5	32.3	51.0
JPE-36-20600	158.6	175.1	190.6	206.0	3	28290	18.0	9.0	7.8	44.73	28.6	33.6	107.6	34.5	32.3	76.0
JPE-46-27800	214.1	236.3	257.2	278.0	4	37720	24.0	12.0	10.4	60.71	38.9	45.6	146.0	46.8	43.9	100.0

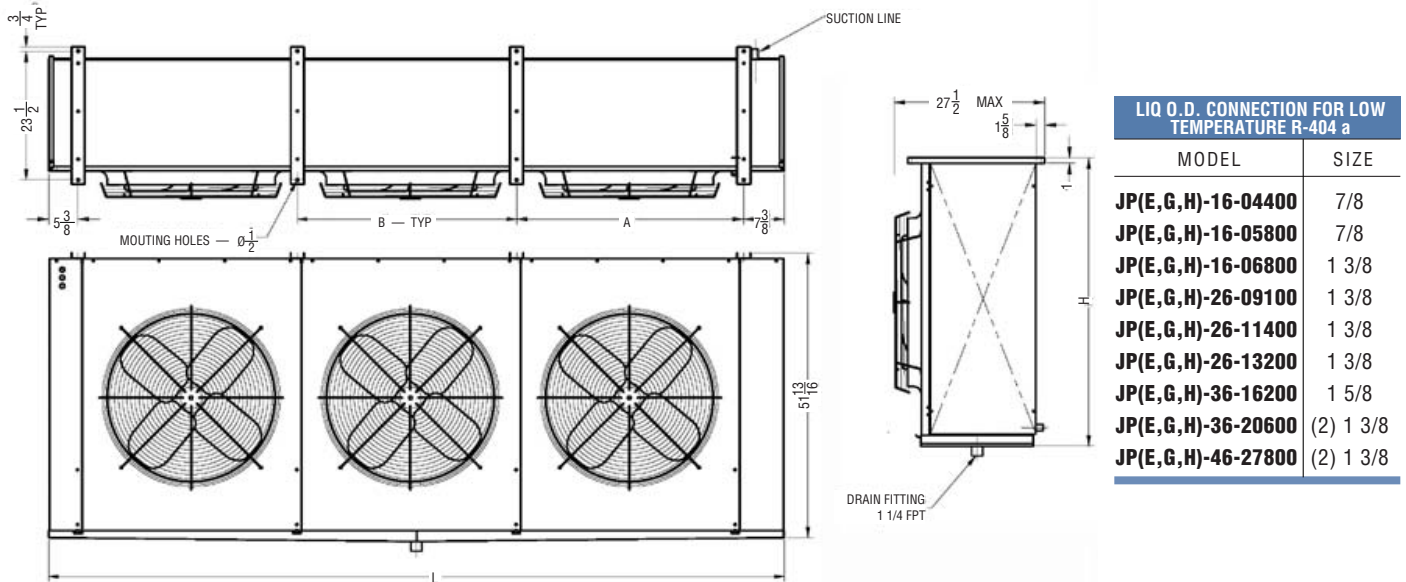
JP(G,H)(E,L) Freezer from -40 °F to 34 °F

ELECTRIC DEFROST

MODEL	CAPACITY BTU/H				FAN DATA		MOTORS FULL LOAD AMPERE			DEFROST HEATERS (ON JPGE & JPHE ONLY)						R-404a CHARGE LBS
	-40 °F SST	-20 °F SST	0 °F SST	+20 °F SST						KILOWATTS			FULL LOAD AMPERE			
	QTY	CFM	240V	480V	600V	240V	480V	600V	240V	480V	600V	240V	480V	600V		
JP(G,H)-16-04400	33.9	37.4	40.7	44.0	1	11325	6.0	3.0	2.6	2.66	1.71	2.0	6.4	2.1	1.9	7.7
JP(G,H)-16-05800	44.7	49.3	53.7	58.0	1	10875	6.0	3.0	2.6	2.66	1.71	2.0	6.4	2.1	1.9	10.3
JP(G,H)-16-06800	52.4	57.8	62.9	68.0	1	10040	6.0	3.0	2.6	2.66	1.71	2.0	6.4	2.1	1.9	15.4
JP(G,H)-26-09100	70.1	77.4	84.2	91.0	2	22650	12.0	6.0	5.2	5.33	3.41	4.0	12.8	4.1	3.8	15.0
JP(G,H)-26-11400	87.8	96.9	105.5	114.0	2	21620	12.0	6.0	5.2	5.33	3.41	4.0	12.8	4.1	3.8	38.0
JP(G,H)-26-13200	101.6	112.2	122.1	132.0	2	19920	12.0	6.0	5.2	5.33	3.41	4.0	12.8	4.1	3.8	57.0
JP(G,H)-36-16200	124.7	137.7	149.9	162.0	3	31170	18.0	9.0	7.8	7.46	4.77	5.6	17.9	5.7	5.4	51.0
JP(G,H)-36-20600	158.6	175.1	190.6	206.0	3	28290	18.0	9.0	7.8	7.46	4.77	5.6	17.9	5.7	5.4	76.0
JP(G,H)-46-27800	214.1	236.3	257.2	278.0	4	37720	24.0	12.0	10.4	10.12	6.48	7.6	24.3	7.8	7.3	100.0

HIGH VELOCITY UNIT COOLER (30" FAN)

JP Series Physical Data



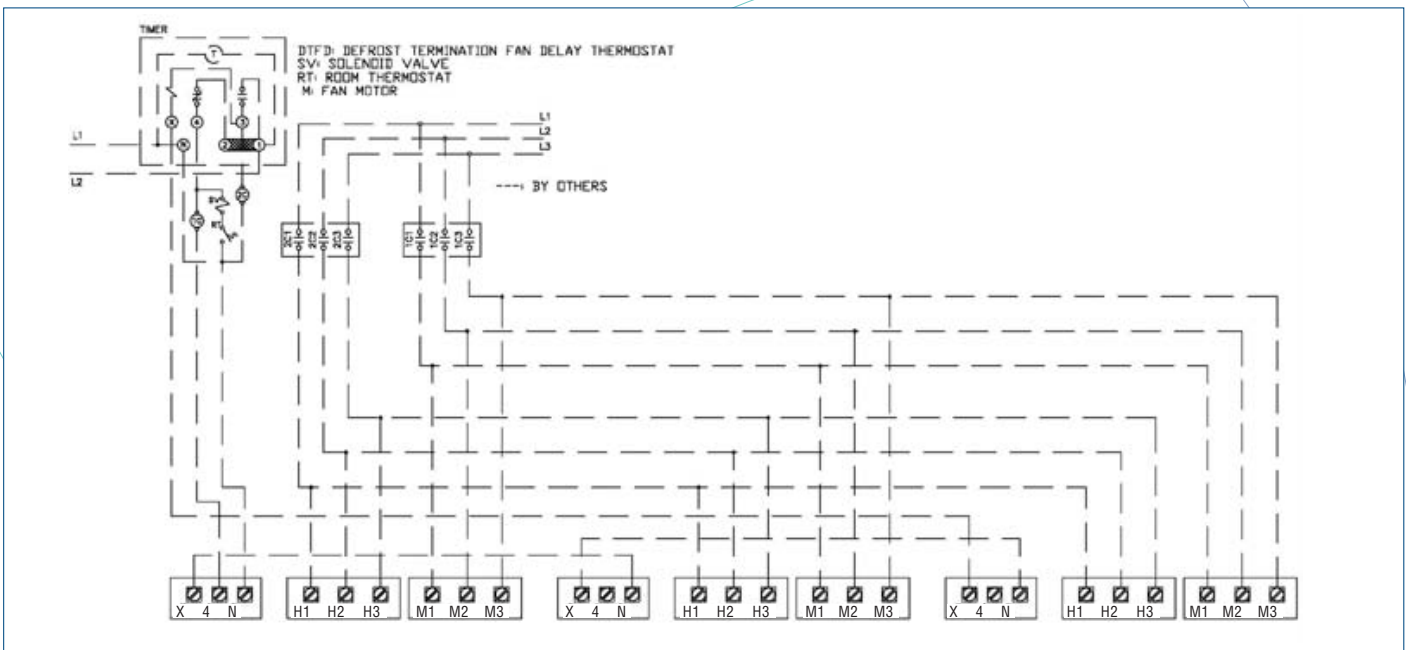
LIQ O. D. CONNECTION FOR LOW TEMPERATURE R-404 a	
MODEL	SIZE
JP(E,G,H)-16-04400	7/8
JP(E,G,H)-16-05800	7/8
JP(E,G,H)-16-06800	1 3/8
JP(E,G,H)-26-09100	1 3/8
JP(E,G,H)-26-11400	1 3/8
JP(E,G,H)-26-13200	1 3/8
JP(E,G,H)-36-16200	1 5/8
JP(E,G,H)-36-20600	(2) 1 3/8
JP(E,G,H)-46-27800	(2) 1 3/8

PHYSICAL DATA

MODEL	SHIPPING WEIGHT LBS	MODEL	SHIPPING WEIGHT LBS	UNIT SIZE (INCH)				CONNECTIONS		
				A	B	C	HL	LIQ O.D.	SUCT O.D.	HOT GAS
JPE-16-04400	588	JP(G, H)-16-04400	500	59 1/4	52*	46 1/2	45	7/8	1 3/8	1 1/8
JPE-16-05800	613	JP(G, H)-16-05800	520	59 1/4	52*	46 1/2	45	7/8	1 3/8	1 1/8
JPE-16-06800	668	JP(G, H)-16-06800	565	59 1/4	52*	46 1/2	45	7/8	1 3/8	1 1/8
JPE-26-09100	1000	JP(G, H)-26-09100	835	104 1/4	52 1/2*	46 1/2	45	7/8	1 5/8	1 3/8
JPE-26-11400	1064	JP(G, H)-26-11400	880	104 1/4	52 1/2*	46 1/2	45	7/8	1 5/8	1 3/8
JPE-26-13200	1160	JP(G, H)-26-13200	970	104 1/4	52 1/2*	46 1/2	45	7/8	1 5/8	1 3/8
JPE-36-16200	1507	JP(G, H)-36-16200	1280	134 1/4	52 1/2*	41 1/2	40	7/8	2 1/8	1 3/8
JPE-36-20600	1628	JP(G, H)-36-20600	1375	134 1/4	52 1/2*	41 1/2	40	1 3/8	2 1/8°	1 5/8°
JPE-46-27800	2267	JP(G, H)-46-27800	1940	174 1/4	52 3/4*	41 1/2	40	(2) 7/8	(2) 1 5/8	(2) 1 3/8

*NOTE: Add 1-1/16" if you have a hot gas loop in drain pan
 ° NOTE: Same as following model for low R-404 a

Wiring Diagram for Multiple Electric Defrost Units



Model Nomenclature

MP G L — 16 - 02100 - 8

Réfrigération Kool-Air

MP = Medium profile unit cooler
 HP = High profile unit cooler
 JP = High velocity unit cooler

Defrost Type

A = Air defrost
 E = Electric
 G = Reverse cycle hot gas defrost
 H = 3 pipes hot gas defrost

Type of drain pan defrost

L = Hot gas loop
 E = Electric

Voltage

2 = 208-230/1/60
 5 = 208-230/3/60
 8 = 575/3/60
 9 = 460/3/60

Capacity BTUH @
 + 20° F SST @ 10° F TD
 x 10 (60 Hz)

Number of fins per inch

Number of fans

Standard feature

MP unit have a medium profile painted white aluminum casing. A centered 3/4 MPT drain connection is provided. HP and JP units have a high profile galvanized steel casing. A centered 1 1/4 FPT drain connection is provided.

State of the art evaporator coil are made of smooth copper tube mechanically expanded into self-spaced aluminum plate fins for permanent bond and maximum heat transfer. All coils are leak tested at 300 PSIG.

Permanently lubricated and thermally protected motor combined with powerful heavy duty 20 or 30 inches aluminum fans individually balanced provide vibration free operation and a long and dependable service. Fan guards are spot welded wire construction whit PVC coating for corrosion protection.

Casing allows total accessibility to expansion valve and electrical connections. Unit coolers are designed for most HFC and HCFC refrigerant including R-22, R-404A, R-134a and R-507. All models are to be used with an externally equalized expansion valve.

Units with electric defrost are supplied with a factory wired fan-delay / defrost termination thermostat. For an efficient defrost and ease of removability, stainless steel heaters are embedded into die formed fin slot in the face of coils and therefore no space is needed on the sides of the units for heater replacement. Drain pan are heated for fast, reliable drainage.

Gas defrost units are supplied with a factory wired fan-delay / defrost termination thermostats, an expansion valve bypass kit including check valve is factory installed. There is two choices of hot gas defrost: reverse cycle defrost suffix "G" and three pipes defrost system suffix "H". Both can be provided with electric defrost in drain pan suffix "GE or HE" or with a hot gas grid in drain pan suffix "GL or HL".

- Option:**
- Copper fin coil
 - Coated coil
 - Galvanized steel housing
 - Insulated drain pan
 - Custom circuiting for chilled water or glycol applications
 - Adjustable defrost termination, fan delay thermostat (electric & hot gas defrost)



HEAD OFFICE:
REFRIGERATION KOOL-AIR INC.

Quebec, Canada

Tel: (450) 346-5007 • Toll free: 1-866-346-5007 • Fax: (450) 346-7631
 Email: kool-air@kool-air-inc.com • Web site: www.kool-air-inc.com

Due to Kool-Air policies to continuously improve the quality of its products, specifications are subject to change without notice