

INDOOR, OUTDOOR & REMOTE
CONDENSING
UNITS





Unit Nomenclature

CONDENSING UNITS NOMENCLATURE

R K O S - 0100 - C S - H 2 - 8

UNIT VOLTAGE: 2: 240/1/60
5: 208-240/3/60
9: 480/3/60
8: 600/3/60

REFRIGERANT: 1: R-134a, 2: R-22; 4: R-404a; 5: R-507

TEMP RANGE: H: High; M: Medium; L: Low; U: Ultra-low

TYPE: H: Hermetic; S: Semi-Hermetic; Z: Scroll; W: Screw

COMPRESSOR: C: Copeland; B: Bitzer; R: Carlyle; D: Danfoss

COMPRESSOR HP: 0008 = 3/4 HP; 0050 = 5 HP; 0100 = 10 HP

COMPRESSOR ARRANGEMENT: S: Single; D: Dual; P: Parallel; M: Multiple

UNIT TYPE: O: Outdoor; I: Indoor; R: Remote; W: Water cooled; M: Marine type

KOOL-AIR

REFRIGERATION

Optional equipment

Mechanical

- Soldered or replaceable liquid line kit (dryer & sight glass)
- Solenoid valve
- Suction accumulator, regular or with boil-out coil
- Suction filter, soldered or replaceable
- Oil separator
- Oil level control device (parallel)
- Main suction and liquid valves
- Hot gas defrost kit
- Oversized receiver
- Suction to liquid heat exchanger
- Adjustable head pressure controls (under 10 HP)
- Custom color paint for housing
- Factory installed pressure gauges
- Hot gas by-pass valves
- Discharge line muffler
- Heat reclaim valve
- Etc.

Electrical

- Auxiliary contacts
- Phases monitor
- Electric defrost kit with fuses and evaporator (s) contactor (s)
- Defrost timer
- Non fused disconnect switch
- Fused disconnect switch
- Fan cycling (2 or 3 fans) for indoor units

Custom made units are available, please consult factory

R22 COPELAND SEMI-HERMETIC COMPRESSORS

HIGH TEMPERATURE												
MODEL	SATURATED SUCTION TEMP °F	80 °F AMB.	90 °F AMB.	95 °F AMB.	100 °F AMB.	105 °F AMB.	LINE SIZE O.D. (INCHES)		RECEIVER LBS	REFRIGERANT CHARGE LBS		SHIPPING WEIGHT LBS
							SUCTION	LIQUID		SUMMER	WINTER	
RKOS-0008-CS-H2 KAN2-0075	45	11.6	10.7	10.2	9.8	9.4	5/8	3/8	17	1.9	2.6	337
	40	10.4	9.7	9.2	8.8	8.4						
	35	9.4	8.7	8.3	7.9	7.6						
	30	8.5	7.8	7.5	7.1	6.9						
	25	7.6	7.0	6.7	6.4	6.1						
	20	6.8	6.3	6.0	5.7	5.5						
	15	6.0	5.5	5.3	5.0	4.8						
	10	5.3	4.9	4.6	4.4	4.3						
RKOS-0010-CS-H2 KAR2-0100	45	15.3	14.1	13.5	12.9	12.3	5/8	3/8	17	1.9	2.6	341
	40	13.9	12.9	12.3	11.7	11.3						
	35	12.6	11.6	11.1	10.6	10.2						
	30	11.4	10.5	10.0	9.6	9.2						
	25	10.2	9.5	9.0	8.6	8.3						
	20	9.1	8.4	8.0	7.7	7.4						
	15	8.1	7.5	7.1	6.8	6.5						
	10	7.2	6.7	6.3	6.1	5.8						
RKOS-0015-CS-H2 KAGB-0150	45	20.6	19.1	18.2	17.4	16.7	7/8	3/8	17	2.6	4.6	349
	40	18.6	17.3	16.4	15.7	15.1						
	35	16.7	15.4	14.7	14.0	13.5						
	30	14.9	13.8	13.2	12.6	12.1						
	25	13.3	12.3	11.7	11.2	10.8						
	20	11.8	10.9	10.4	10.0	9.5						
	15	10.4	9.6	9.2	8.8	8.4						
	10	9.1	8.5	8.1	7.7	7.4						
RKOS-0020-CS-H2 KAKB-0200	45	28.9	26.8	25.5	24.4	23.4	7/8	3/8	17	3.9	6.8	411
	40	26.3	24.3	23.1	22.1	21.2						
	35	23.7	22.0	20.9	20.0	19.2						
	30	21.4	19.8	18.9	18.1	17.3						
	25	19.1	17.7	16.9	16.1	15.5						
	20	17.2	15.9	15.1	14.5	13.9						
	15	15.3	14.2	13.5	12.9	12.4						
	10	13.5	12.5	11.9	11.4	10.9						
RKOS-0030-CS-H2 ERF1-0311	45	44.8	41.5	39.5	37.8	36.2	1 1/8	1/2	17	4.8	9.1	534
	40	40.8	37.8	36.0	34.4	33.0						
	35	37.0	34.2	32.6	31.2	29.9						
	30	33.4	30.9	29.5	28.2	27.0						
	25	30.1	27.8	26.5	25.3	24.3						
	20	27.1	25.0	23.8	22.8	21.9						
	15	24.2	22.3	21.3	20.3	19.5						
	10	21.5	19.9	18.9	18.1	17.3						
RKOS-0040-CS-H2 NRB2-0400	45	61.2	56.6	53.9	51.5	49.4	1 1/8	1/2	29	7.4	14.0	635
	40	55.6	51.5	49.0	46.9	45.0						
	35	50.4	46.6	44.4	42.5	40.7						
	30	45.5	42.1	40.1	38.3	36.8						
	25	40.8	37.8	36.0	34.4	33.0						
	20	36.4	33.7	32.1	30.6	29.4						
	15	32.2	29.8	28.3	27.1	26.0						
	10	27.9	25.8	24.6	23.5	22.6						
5	23.9	22.1	21.1	20.2	19.3							
0	19.9	18.4	17.5	16.8	16.1							

HIGH TEMPERATURE

MODEL	SATURATED SUCTION TEMP °F	80 °F AMB.	90 °F AMB.	95 °F AMB.	100 °F AMB.	105 °F AMB.	LINE SIZE O.D. (INCHES)		RECEIVER LBS	REFRIGERANT CHARGE LBS		SHIPPING WEIGHT LBS
							SUCTION	LIQUID		SUMMER	WINTER	
							RKOS-0049-CS-H2 NRA2-0500	45		72.1	66.7	
40	65.8	60.9	58.0	55.4	53.1							
35	59.8	55.3	52.7	50.3	48.3							
30	54.0	49.9	47.5	45.5	43.6							
25	48.3	44.7	42.6	40.7	39.0							
20	43.1	39.9	38.0	36.3	34.9							
15	38.1	35.3	33.6	32.1	30.8							
10	33.4	30.9	29.5	28.2	27.0							
5	29.0	26.8	25.5	24.4	23.4							
0	25.0	23.1	22.0	21.0	20.2							
RKOS-0050-CS-H2 2DC3-0500	45	76.1	70.4	67.0	64.1	61.5	1 3/8	1/2	29	8.7	17.0	738
	40	68.9	63.8	60.7	58.0	55.7						
	35	62.3	57.6	54.9	52.5	50.3						
	30	56.1	51.9	49.4	47.2	45.3						
	25	50.3	46.5	44.3	42.3	40.6						
	20	44.8	41.5	39.5	37.8	36.2						
	15	39.8	36.9	35.1	33.6	32.2						
	10	35.1	32.5	30.9	29.6	28.4						
	5	30.6	28.3	26.9	25.8	24.7						
0	26.4	24.4	23.3	22.2	21.3							
RKOS-0060-CS-H2 2DD3-0500	45	85.4	79.0	75.3	72.0	69.0	1 3/8	1/2	29	8.7	17.0	748
	40	77.7	71.9	68.5	65.5	62.8						
	35	70.5	65.2	62.1	59.4	57.0						
	30	63.6	58.8	56.0	53.6	51.4						
	25	57.3	53.0	50.5	48.2	46.3						
	20	51.2	47.3	45.1	43.1	41.3						
	15	45.5	42.1	40.1	38.4	36.8						
	10	40.2	37.2	35.5	33.9	32.5						
	5	35.3	32.7	31.1	29.7	28.5						
0	30.6	28.3	27.0	25.8	24.7							
RKOS-0070-CS-H2 2DL3-0750	45	105.4	97.5	92.9	88.8	85.2	1 3/8	5/8	29	11.0	21.0	858
	40	95.9	88.7	84.5	80.8	77.5						
	35	87.3	80.7	76.9	73.5	70.5						
	30	79.1	73.1	69.6	66.6	63.9						
	25	71.4	66.1	62.9	60.1	57.7						
	20	59.5	55.1	52.5	50.2	48.1						
	15	57.4	53.1	50.6	48.3	46.4						
	10	50.9	47.1	44.8	42.9	41.1						
	5	44.8	41.5	39.5	37.8	36.2						
0	39.0	36.1	34.4	32.9	31.5							
RKOS-0080-CS-H2 2DA3-0750	45	120.0	111.0	105.8	101.1	97.0	1 3/8	5/8	62	13.0	26.0	988
	40	109.6	101.4	96.6	92.3	88.6						
	35	99.6	92.2	87.8	83.9	80.5						
	30	90.3	83.6	79.6	76.1	73.0						
	25	81.4	75.3	71.7	68.5	65.7						
	20	73.2	67.7	64.5	61.6	59.1						
	15	65.2	60.3	57.4	54.9	52.7						
	10	57.6	53.3	50.8	48.5	46.6						
	5	50.4	46.7	44.4	42.5	40.7						
0	43.6	40.3	38.4	36.7	35.2							
RKOS-0090-CS-H2 3DA3A0750	45	142.8	132.1	125.8	120.3	115.4	1 3/8	5/8	62	13.0	26.0	1028
	40	130.5	120.7	115.0	109.9	105.4						
	35	118.9	110.0	104.8	100.1	96.1						
	30	108.0	99.9	95.1	91.0	87.3						
	25	97.7	90.3	86.0	82.3	78.9						
	20	88.2	81.6	77.7	74.3	71.3						
	15	79.3	73.4	69.9	66.8	64.1						
	10	71.0	65.7	62.6	59.8	57.4						
	5	63.3	58.5	55.7	53.3	51.1						
0	56.1	51.9	49.4	47.2	45.3							

HIGH TEMPERATURE

MODEL	SATURATED SUCTION TEMP °F	80 °F AMB.	90 °F AMB.	95 °F AMB.	100 °F AMB.	105 °F AMB.	LINE SIZE O.D. (INCHES)		RECEIVER LBS	REFRIGERANT CHARGE LBS		SHIPPING WEIGHT LBS
							SUCTION	LIQUID		SUMMER	WINTER	
RKOS-0100-CS-H2 3DB3A1000	45	174.6	161.5	153.8	147.1	141.1	1 3/8	7/8	62	16.0	32.0	1132
	40	159.7	147.8	140.7	134.5	129.0						
	35	145.9	134.9	128.5	122.9	117.8						
	30	132.8	122.9	117.0	111.9	107.3						
	25	119.9	110.9	105.6	101.0	96.9						
	20	109.2	101.0	96.2	92.0	88.2						
	15	98.6	91.2	86.9	83.0	79.7						
	10	88.7	82.1	78.2	74.7	71.7						
	5	78.9	73.0	69.5	66.5	63.8						
0	70.4	65.2	62.1	59.3	56.9							
RKOS-0150-CS-H2 3DS3A1500	45	229.8	212.6	202.4	193.5	185.6	1 5/8	7/8	81	18.0	36.0	1285
	40	210.3	194.6	185.3	177.2	169.9						
	35	192.2	177.8	169.3	161.9	155.2						
	30	175.1	162.0	154.3	147.5	141.5						
	25	158.0	146.2	139.2	133.1	127.7						
	20	144.2	133.4	127.1	121.5	116.5						
	15	130.2	120.4	114.7	109.6	105.2						
	10	116.9	108.2	103.0	98.5	94.5						
	5	104.6	96.8	92.2	88.1	84.5						
0	92.5	85.5	81.5	77.9	74.7							
RKOS-0200-CS-H2 4DA3-2000	45	248.4	229.8	218.9	209.3	200.7	1 5/8	7/8	81	22.0	47.0	1442
	40	226.3	209.4	199.4	190.6	182.8						
	35	209.2	193.6	184.3	176.2	169.0						
	30	189.4	175.2	166.9	159.5	153.0						
	25	170.1	157.4	149.9	143.3	137.5						
	20	153.9	142.3	135.6	129.6	124.3						
	15	137.9	127.6	121.5	116.2	111.4						
	10	123.1	113.9	108.5	103.7	99.5						
	5	109.5	101.3	96.5	92.2	88.5						
0	96.5	89.3	85.1	81.3	78.0							
RKOS-0250-CS-H2 4DH3-2500	45	321.9	297.8	283.7	271.2	260.1	2 1/8	1 1/8	106	27.0	56.0	2142
	40	298.2	275.9	262.7	251.2	240.9						
	35	273.2	252.7	240.7	230.1	220.7						
	30	247.9	229.3	218.4	208.8	200.3						
	25	223.2	206.5	196.6	188.0	180.3						
	20	200.2	185.2	176.3	168.6	161.7						
	15	178.3	164.9	157.1	150.1	144.0						
	10	158.0	146.1	139.2	133.1	127.6						
	5	139.5	129.1	122.9	117.5	112.7						
0	123.3	114.1	108.6	103.8	99.6							
RKOS-0300-CS-H2 4DJ3-3000	45	368.2	340.6	324.4	310.1	297.4	2 1/8	1 1/8	144	37.0	75.0	2234
	40	337.0	311.8	297.0	283.9	272.3						
	35	307.4	284.4	270.8	258.9	248.3						
	30	279.3	258.4	246.1	235.2	225.6						
	25	251.2	232.4	221.3	211.6	202.9						
	20	227.3	210.3	200.3	191.5	183.7						
	15	203.7	188.4	179.5	171.6	164.6						
	10	181.6	168.0	160.0	153.0	146.7						
	5	161.3	149.2	142.1	135.9	130.3						
0	142.2	131.5	125.2	119.7	114.9							
RKOS-0350-CS-H2 6DH3-3500	45	454.6	420.5	400.5	382.9	367.2	2 1/8	1 1/8	144	54.0	110.0	2732
	40	415.3	384.2	365.9	349.8	335.5						
	35	378.5	350.2	333.5	318.8	305.8						
	30	343.8	318.1	302.9	289.6	277.8						
	25	309.8	286.6	273.0	261.0	250.3						
	20	282.4	261.2	248.8	237.8	228.1						
	15	254.8	235.7	224.5	214.6	205.9						
	10	229.1	212.0	201.9	193.0	185.1						
	5	205.4	190.0	181.0	173.0	166.0						
0	182.9	169.2	161.1	154.0	147.7							

HIGH TEMPERATURE

MODEL	SATURATED SUCTION TEMP °F	80 °F AMB.	90 °F AMB.	95 °F AMB.	100 °F AMB.	105 °F AMB.	LINE SIZE O.D. (INCHES)		RECEIVER LBS	REFRIGERANT CHARGE LBS		SHIPPING WEIGHT LBS
							SUCTION	LIQUID		SUMMER	WINTER	
RKOS-0400-CS-H2 6DJ3-4000	45	550.7	509.4	485.2	463.8	444.9	2 1/8	1 1/8	182	54.0	110.0	2903
	40	505.9	468.1	445.8	426.2	408.8						
	35	463.6	428.9	408.5	390.5	374.6						
	30	454.0	420.0	400.0	382.4	366.8						
	25	382.7	354.1	337.2	322.4	309.2						
	20	349.4	323.3	307.9	294.3	282.3						
	15	315.6	291.9	278.0	265.8	254.9						
	10	283.6	262.4	249.9	238.9	229.2						
	5	253.9	234.9	223.7	213.8	205.1						
0	225.3	208.4	198.5	189.8	182.0							
RKOD-0500-CS-H2 (2X) 4DH3-2500	45	643.9	595.7	567.3	542.3	520.2	(2) 2 1/8	(2) 1 1/8	(2) 106	(2) 27	(2) 56	3494
	40	596.4	551.8	525.5	502.4	481.9						
	35	546.4	505.5	481.4	460.2	441.5						
	30	495.7	458.6	436.8	417.5	400.5						
	25	446.4	413.0	393.3	376.0	360.7						
	20	400.3	370.3	352.7	337.2	323.4						
	15	356.5	329.8	314.1	300.3	288.0						
	10	316.0	292.3	278.4	266.1	255.3						
	5	279.1	258.2	245.9	235.1	225.5						
0	246.6	228.1	217.3	207.7	199.2							
RKOD-0600-CS-H2 (2X) 4DJ3-3000	45	736.3	681.2	648.7	620.2	594.9	(2) 2 1/8	(2) 1 1/8	(2) 144	(2) 37	(2) 75	3660
	40	674.1	623.6	593.9	567.8	544.6						
	35	614.8	568.7	541.7	517.8	496.7						
	30	558.6	516.7	492.1	470.5	451.3						
	25	502.4	464.8	442.6	423.2	405.9						
	20	454.7	420.6	400.6	383.0	367.3						
	15	407.4	376.9	358.9	343.1	329.1						
	10	363.2	336.0	320.0	306.0	293.5						
	5	322.7	298.5	284.3	271.8	260.7						
0	284.3	263.0	250.5	239.5	229.7							
RKOD-0700-CS-H2 (2X) 6DH3-3500	45	909.1	841.0	801.0	765.7	734.5	(2) 2 1/8	(2) 1 1/8	(2) 144	(2) 54	(2) 110	4717
	40	830.6	768.4	731.8	699.6	671.1						
	35	757.0	700.3	667.0	637.6	611.6						
	30	687.7	636.2	605.9	579.2	555.6						
	25	619.6	573.2	545.9	521.9	500.6						
	20	564.7	522.4	497.6	475.7	456.3						
	15	509.6	471.4	449.0	429.2	411.7						
	10	458.2	423.9	403.7	386.0	370.2						
	5	440.9	407.9	388.4	371.4	356.2						
0	365.7	338.3	322.2	308.1	295.5							
RKOD-0800-CS-H2 (2X) 6DJ3-400	45	1101.1	1018.7	970.2	927.5	889.6	(2) 2 1/8	(2) 1 1/8	(2) 182	(2) 54	(2) 110	5047
	40	1011.9	936.1	891.5	852.3	817.5						
	35	927.2	857.8	816.9	781.0	749.1						
	30	846.2	782.8	745.6	712.8	683.7						
	25	765.4	708.1	674.4	644.7	618.4						
	20	698.8	646.5	615.7	588.6	564.6						
	15	631.1	583.9	556.0	531.6	509.9						
	10	567.3	524.8	499.8	477.8	458.3						
	5	507.8	469.7	447.4	427.7	410.2						
0	450.6	416.8	397.0	379.5	364.0							

COPELAND SEMI-HERMETIC COMPRESSOR ELECTRICAL INFORMATION

HIGH R-22

Unit model number	Unit compressor	Unit voltage	Compressor			Condenser fan			MCA	MOP
			Qty	RLA	LRA	Qty	HP	FLA		
RKIS-0008-CS-H2-2	KAN2-0075-CAV	208-230/1/60	1	6.1	36	1	1/2	2.9	10.5	20
RKIS-0008-CS-H2-5	KAN1-0075-TAC	208-230/3/60	1	3.5	19.9	1	1/2	2.9	7.3	15
RKIS-0010-CS-H2-2	KAR2-0100-CAV	208-230/1/60	1	7.4	40	1	1/2	2.9	12.2	20
RKIS-0010-CS-H2-5	KAR1-0100-TAC	208-230/3/60	1	4.3	27	1	1/2	2.9	8.3	15
RKIS-0010-CS-H2-9	KAR1-0100-TAD	460/3/60	1	2.2	13.5	1	1/2	1.8	4.6	15
RKIS-0015-CS-H2-2	KAGB-0150-CAV	208-230/1/60	1	9.6	55	1	1/2	2.9	14.9	25
RKIS-0015-CS-H2-5	KAGA-0150-TAC	208-230/3/60	1	5.5	35.5	1	1/2	2.9	9.8	20
RKIS-0015-CS-H2-9	KAGA-0150-TAD	460/3/60	1	2.5	18.2	1	1/2	1.8	4.9	15
RKIS-0020-CS-H2-2	KAKB-0200-CAV	208-230/1/60	1	10.6	55	1	1/2	2.9	16.2	30
RKIS-0020-CS-H2-5	KAKA-0200-TAC	208-230/3/60	1	6.8	50	1	1/2	2.9	11.4	20
RKIS-0020-CS-H2-9	KAKA-0200-TAD	460/3/60	1	3	25	1	1/2	1.8	5.6	15
RKIS-0020-CS-H2-8	ERA1-0200-TAE	575/3/60	1	3.5	20	1	1/2	1.2	5.6	15
RKIS-0030-CS-H2-2	ERF2-0310-CAB	208-230/1/60	1	17	86	1	1/2	2.9	24.2	45
RKIS-0030-CS-H2-5	ERF1-0310-TAC	208-230/3/60	1	11.7	82	1	1/2	2.9	17.5	30
RKIS-0030-CS-H2-9	ERF1-0310-TAD	460/3/60	1	6.4	41	1	1/2	1.8	9.8	20
RKIS-0030-CS-H2-8	ERF1-0300-TAE	575/3/60	1	5.2	30	1	1/2	1.2	7.7	15
RKIS-0040-CS-H2-5	NRB2-0400-TFC	208-230/3/60	1	21.8	141	1	1/2	2.9	30.2	60
RKIS-0040-CS-H2-9	NRB2-0400-TFD	460/3/60	1	11.3	62.5	1	1/2	1.8	15.9	30
RKIS-0040-CS-H2-8	NRB2-0400-TFE	575/3/60	1	9.2	53.4	1	1/2	1.2	12.7	25
RKIS-0049-CS-H2-5	NRA2-0500-TFC	208-230/3/60	1	19.2	141	1	1/2	2.9	26.9	50
RKIS-0049-CS-H2-9	NRA2-0500-TFD	460/3/60	1	9.6	62.5	1	1/2	1.8	13.8	25
RKIS-0049-CS-H2-8	NRA2-0500-TFE	575/3/60	1	9.2	53.4	1	1/2	1.2	12.7	25
RKIS-0050-CS-H2-2	2DC3-0500-CFB	208-230/1/60	1	29.9	125	1	1/1	2.9	40.3	80
RKIS-0050-CS-H2-5	2DC3-0500-TFC	208-230/3/60	1	22.3	120	1	1/2	2.9	30.8	60
RKIS-0050-CS-H2-9	2DC3-0500-TFD	460/3/60	1	10.4	60	1	1/2	1.8	14.8	30
RKIS-0050-CS-H2-8	2DC3-0500-TFE	575/3/60	1	7.7	49	1	1/2	1.2	10.8	20
RKIS-0060-CS-H2-5	2DD3-0500-TFC	208-230/3/60	1	22.3	120	1	1/2	2.9	30.8	60
RKIS-0060-CS-H2-9	2DD3-0500-TFD	460/3/60	1	10.5	60	1	1/2	1.8	14.9	30
RKIS-0060-CS-H2-8	2DD3-0500-TFE	575/3/60	1	7.9	49	1	1/2	1.2	11.1	20
RKIS-0070-CS-H2-5	2DL3-0750-TFC	208-230/3/60	1	31.6	169	1	1/2	2.9	42.4	80
RKIS-0070-CS-H2-9	2DL3-0750-TFD	460/3/60	1	13.8	85	1	1/2	1.8	19.1	35
RKIS-0070-CS-H2-8	2DL3-0750-TFE	575/3/60	1	13.2	67	1	1/2	1.2	17.7	35
RKIS-0080-CS-H2-5	2DA3-0750-TFC	208-230/3/60	1	32	169	2	1/2	2.9	45.8	80
RKIS-0080-CS-H2-9	2DA3-0750-TFD	460/3/60	1	14.1	85	2	1/2	1.8	21.2	40
RKIS-0080-CS-H2-8	2DA3-0750-TFE	575/3/60	1	13.3	67	2	1/2	1.2	19.0	35
RKIS-0090-CS-H2-5	3DA3A-0750-TFC	208-230/3/60	1	41	215	2	1/2	2.9	57.1	100
RKIS-0090-CS-H2-9	3DA3A-0750-TFD	460/3/60	1	20	106	2	1/2	1.8	28.6	50
RKIS-0090-CS-H2-8	3DA3A-0750-TFE	575/3/60	1	16.5	84	2	1/2	1.2	23.0	40
RKIS-0100-CS-H2-5	3DB3A-1000-TFC	208-230/3/60	1	43.6	215	2	1/2	2.9	60.3	125
RKIS-0100-CS-H2-9	3DB3A-1000-TFD	460/3/60	1	20	106	2	1/2	1.8	28.6	50
RKIS-0100-CS-H2-8	3DB3A-1000-TFE	575/3/60	1	16.5	84	2	1/2	1.2	23.0	40
RKIS-0150-CS-H2-5	3DS3A-1500-TFC	208-230/3/60	1	59.6	275	3	1/2	2.9	83.2	150
RKIS-0150-CS-H2-9	3DS3A-1500-TFD	460/3/60	1	29	138	3	1/2	1.8	41.7	80
RKIS-0150-CS-H2-8	3DS3A-1500-TFE	575/3/60	1	23.6	110	3	1/2	1.2	33.1	60
RKIS-0200-CS-H2-5	4DA3-2000-TSK	208-230/3/60	1	66	308	3	1/2	2.9	91.2	175
RKIS-0200-CS-H2-9	4DA3-2000-TSK	460/3/60	1	33	154	3	1/2	1.8	46.7	80
RKIS-0200-CS-H2-8	4DA3-2000-TSE	575/3/60	1	24.7	135	3	1/2	1.2	34.5	60
RKIS-0250-CS-H2-5	4DH3-2500-TSK	208-230/3/60	1	82.2	428	2	1	4.4	111.6	200
RKIS-0250-CS-H2-9	4DH3-2500-TSK	460/3/60	1	41.1	214	2	1	2	55.4	100
RKIS-0250-CS-H2-8	4DH3-2500-TSE	575/3/60	1	34.4	172	2	1	1.6	46.2	90
RKIS-0300-CS-H2-5	4DJ3-3000-TSK	208-230/3/60	1	94	470	2	1	4.4	126.3	225
RKIS-0300-CS-H2-9	4DJ3-3000-TSK	460/3/60	1	47	235	2	1	2	62.8	125
RKIS-0300-CS-H2-8	4DJ3-3000-TSE	575/3/60	1	39.3	200	2	1	1.6	52.3	100
RKIS-0350-CS-H2-5	6DH3-3500-TSK	208-230/3/60	1	107	565	3	1	4.4	147.0	275
RKIS-0350-CS-H2-9	6DH3-3500-TSK	460/3/60	1	53.3	283	3	1	2	72.6	150
RKIS-0350-CS-H2-8	6DH3-3500-TSE	575/3/60	1	42.5	230	3	1	1.6	57.9	125
RKIS-0400-CS-H2-5	6DJ3-4000-TSN	230/3/60	1	142	594	3	1	4.4	190.7	275
RKIS-0400-CS-H2-9	6DJ3-4000-TSN	460/3/60	1	71	297	3	1	2	94.8	175
RKIS-0400-CS-H2-8	6DJ3-4000-TSE	575/3/60	1	53.5	245	3	1	1.6	71.7	150
RKID-0500-CS-H2-9	4DH3-2500-TSK	460/3/60	2	41.1	214	4	1	2	100.5	150
RKID-0500-CS-H2-8	4DH3-2500-TSE	575/3/60	2	34.4	172	4	1	1.6	83.8	125
RKID-0600-CS-H2-9	4DJ3-3000-TSK	460/3/60	2	47	235	4	1	2	113.8	175
RKID-0600-CS-H2-8	4DJ3-3000-TSE	575/3/60	2	39.3	200	4	1	1.6	94.8	150
RKID-0700-CS-H2-9	6DH3-3500-TSK	460/3/60	2	53.3	283	6	1	2	131.9	200
RKID-0700-CS-H2-8	6DH3-3500-TSE	575/3/60	2	42.5	230	6	1	1.6	105.2	150
RKID-0800-CS-H2-9	6DJ3-4000-TSN	460/3/60	2	71	297	6	1	2	171.8	250
RKID-0800-CS-H2-8	6DJ3-4000-TSE	575/3/60	2	53.5	245	6	1	1.6	130.0	200

R22 COPELAND SEMI-HERMETIC COMPRESSORS

LOW TEMPERATURE												
MODEL	SATURATED SUCTION TEMP °F	80 °F AMB.	90 °F AMB.	95 °F AMB.	100 °F AMB.	105 °F AMB.	LINE SIZE O.D. (INCHES)		RECEIVER LBS	REFRIGERANT CHARGE LBS		SHIPPING WEIGHT LBS
							SUCTION	LIQUID		SUMMER	WINTER	
RKOS-0008-CS-L2 KAMB-0075	0	6.6	6.2	5.9	5.6	5.4	5/8	3/8	17	1.9	2.9	337
	-5	5.8	5.4	5.2	4.9	4.7						
	-10	5.2	4.8	4.5	4.3	4.2						
	-15	4.5	4.1	3.9	3.8	3.6						
	-20	3.8	3.5	3.3	3.2	3.1						
	-25	3.2	3.0	2.8	2.7	2.6						
-30	2.8	2.5	2.4	2.3	2.2							
RKOS-0010-CS-L2 KAJB-0100	0	8.0	7.4	7.0	6.7	6.4	5/8	3/8	17	1.9	2.9	344
	-5	7.1	6.5	6.2	6.0	5.7						
	-10	6.2	5.7	5.4	5.2	5.0						
	-15	5.4	5.0	4.8	4.5	4.4						
	-20	4.6	4.3	4.1	3.9	3.7						
	-25	3.9	3.6	3.5	3.3	3.2						
-30	3.4	3.1	3.0	2.8	2.7							
RKOS-0015-CS-L2 KAKA-0200	0	9.8	9.1	8.7	8.3	8.0	7/8	3/8	17	2.6	4.6	355
	-5	8.6	7.9	7.6	7.2	6.9						
	-10	7.5	7.0	6.6	6.3	6.1						
	-15	6.5	6.0	5.7	5.5	5.2						
	-20	5.7	5.3	5.0	4.8	4.6						
	-25	4.9	4.5	4.3	4.1	3.9						
-30	4.2	3.9	3.7	3.5	3.4							
RKOS-0020-CS-L2 EAD-0200	0	14.4	13.3	12.7	12.1	11.6	7/8	3/8	17	3.9	6.8	464
	-5	12.7	11.7	11.2	10.7	10.2						
	-10	10.9	10.1	9.6	9.2	8.8						
	-15	9.6	8.8	8.4	8.1	7.7						
	-20	8.2	7.6	7.2	6.9	6.6						
	-25	6.9	6.4	6.1	5.8	5.6						
-30	5.8	5.3	5.1	4.9	4.7							
RKOS-0025-CS-L2 EAVA-0210	0	17.5	16.2	15.4	14.8	14.2	7/8	3/8	17	3.9	6.8	507
	-5	15.2	14.1	13.4	12.8	12.3						
	-10	13.1	12.2	11.6	11.1	10.6						
	-15	11.3	10.4	9.9	9.5	9.1						
	-20	9.7	9.0	8.5	8.2	7.8						
	-25	8.2	7.6	7.2	6.9	6.6						
-30	6.8	6.3	6.0	5.7	5.5							
RKOS-0030-CS-L2 LAHA-0310	0	25.2	23.3	22.2	21.2	20.3	1 1/8	1/2	17	4.8	9.1	574
	-5	22.1	20.5	19.5	18.6	17.9						
	-10	19.1	17.7	16.8	16.1	15.4						
	-15	16.3	15.1	14.4	13.8	13.2						
	-20	13.8	12.7	12.1	11.6	11.1						
	-25	11.4	10.6	10.0	9.6	9.2						
-30	9.3	8.6	8.2	7.8	7.5							
RKOS-0040-CS-L2 2DF3-0300	0	32.5	30.1	28.6	27.4	26.3	1 3/8	1/2	29	7.4	14.0	685
	-5	28.2	26.0	24.8	23.7	22.7						
	-10	24.4	22.5	21.5	20.5	19.7						
	-15	21.0	19.5	18.5	17.7	17.0						
	-20	18.0	16.7	15.9	15.2	14.6						
	-25	15.4	14.2	13.5	12.9	12.4						
-30	12.9	11.9	11.4	10.9	10.4							
RKOS-0050-CS-L2 2DL3-0400	0	39.8	36.9	35.1	33.6	32.2	1 3/8	1/2	29	8.7	17.0	784
	-5	35.3	32.7	31.1	29.8	28.5						
	-10	30.9	28.6	27.2	26.0	25.0						
	-15	26.5	24.5	23.4	22.3	21.4						
	-20	22.7	21.0	20.0	19.1	18.3						
	-25	19.2	17.8	16.9	16.2	15.5						
-30	16.1	14.9	14.2	13.6	13.0							

LOW TEMPERATURE

MODEL	SATURATED SUCTION TEMP °F	80 °F AMB.	90 °F AMB.	95 °F AMB.	100 °F AMB.	105 °F AMB.	LINE SIZE O.D. (INCHES)		RECEIVER LBS	REFRIGERANT CHARGE LBS		SHIPPING WEIGHT LBS
							SUCTION	LIQUID		SUMMER	WINTER	
RKOS-0060-CS-L2 2DA3-0600	0	45.2	41.8	39.8	38.1	36.5	1 3/8	1/2	29	8.7	17.0	759
	-5	39.8	36.8	35.1	33.5	32.1						
	-10	35.0	32.3	30.8	29.4	28.2						
	-15	30.1	27.9	26.5	25.4	24.3						
	-20	25.9	23.9	22.8	21.8	20.9						
	-25	22.0	20.3	19.4	18.5	17.7						
RKOS-0070-CS-L2 3DA3A-0600	0	54.0	49.9	47.5	45.4	43.6	1 3/8	5/8	29	11.0	21.0	918
	-5	47.7	44.1	42.0	40.2	38.5						
	-10	41.7	38.6	36.8	35.2	33.7						
	-15	36.2	33.5	31.9	30.5	29.2						
	-20	31.1	28.8	27.4	26.2	25.2						
	-25	26.7	24.7	23.5	22.5	21.6						
RKOS-0080-CS-L2 3DB3A-0750	0	64.7	59.9	57.0	54.5	52.3	1 3/8	5/8	62	13.0	26.0	1047
	-5	57.4	53.1	50.6	48.4	46.4						
	-10	50.3	46.6	44.3	42.4	40.7						
	-15	43.9	40.6	38.7	37.0	35.5						
	-20	38.2	35.4	33.7	32.2	30.9						
	-25	33.1	30.7	29.2	27.9	26.8						
RKOS-0090-CS-L2 3DFA3A-0900	0	78.6	72.7	69.2	66.2	63.5	1 3/8	5/8	62	13.0	26.0	1053
	-5	69.8	64.6	61.5	58.8	56.4						
	-10	61.1	56.6	53.9	51.5	49.4						
	-15	53.0	49.1	46.7	44.7	42.9						
	-20	45.8	42.4	40.4	38.6	37.0						
	-25	39.2	36.3	34.6	33.0	31.7						
RKOS-0100-CS-L2 3DS3A-1000	0	87.8	81.2	77.3	73.9	70.9	1 3/8	7/8	62	16.0	32.0	1152
	-5	77.9	72.0	68.6	65.6	62.9						
	-10	68.2	63.1	60.1	57.5	55.1						
	-15	59.4	54.9	52.3	50.0	48.0						
	-20	51.5	47.6	45.3	43.3	41.6						
	-25	44.2	40.9	39.0	37.3	35.7						
RKOS-0150-CS-L2 4DL3-1500	0	119.7	110.7	105.5	100.8	96.7	1 5/8	7/8	81	18.0	36.0	1339
	-5	106.5	98.5	93.8	89.7	86.0						
	-10	93.3	86.3	82.2	78.6	75.3						
	-15	81.4	75.3	71.7	68.6	65.8						
	-20	70.7	65.4	62.3	59.6	57.1						
	-25	60.8	56.3	53.6	51.2	49.1						
RKOS-0220-CS-L2 4DT3-2200	0	141.0	130.5	124.2	118.8	113.9	2 1/8	1 1/8	81	22.0	48.0	1474
	-5	123.6	114.3	108.9	104.1	99.9						
	-10	108.6	100.4	95.7	91.4	87.7						
	-15	95.6	88.5	84.2	80.5	77.3						
	-20	83.7	77.4	73.7	70.5	67.6						
	-25	72.9	67.5	64.2	61.4	58.9						
RKOS-0270-CS-L2 6DL3-2700	0	179.1	165.7	157.8	150.8	144.7	2 1/8	1 1/8	106	27.0	56.0	2275
	-5	158.2	146.4	139.4	133.3	127.8						
	-10	139.3	128.9	122.7	117.3	112.6						
	-15	122.8	113.6	108.2	103.5	99.2						
	-20	106.5	98.5	93.8	89.7	86.0						
	-25	92.1	85.2	81.1	77.5	74.4						
	-30	78.6	72.7	69.2	66.2	63.5						

LOW TEMPERATURE

MODEL	SATURATED SUCTION TEMP °F	80 °F AMB.	90 °F AMB.	95 °F AMB.	100 °F AMB.	105 °F AMB.	LINE SIZE O.D. (INCHES)		RECEIVER LBS	REFRIGERANT CHARGE LBS		SHIPPING WEIGHT LBS
							SUCTION	LIQUID		SUMMER	WINTER	
RKOS-0300-CS-L2 6DT3-3000	0	204.8	189.5	180.5	172.5	165.5	2 1/8	1 1/8	144	37.0	75.0	2349
	-5	180.2	166.7	158.7	151.8	145.6						
	-10	158.9	147.0	140.0	133.8	128.4						
	-15	139.6	129.1	123.0	117.6	112.8						
	-20	122.2	113.0	107.7	102.9	98.7						
	-25	106.3	98.3	93.6	89.5	85.8						
-30	90.9	84.1	80.1	76.5	73.4							
RKOD-0440-CS-L2 (2X) 4DT3-2200	0	281.5	260.4	248.0	237.1	227.4	(2) 2 1/8	(2) 1 1/8	(2) 106	(2) 21	(2) 41	3189
	-5	246.7	228.2	217.3	207.8	199.3						
	-10	216.7	200.5	190.9	182.5	175.1						
	-15	190.8	176.6	168.1	160.7	154.2						
	-20	167.0	154.5	147.2	140.7	135.0						
	-25	145.5	134.6	128.2	122.6	117.6						
-30	124.5	115.2	109.7	104.9	100.6							
RKOD-0540-CS-L2 (2X) 6DL3-2700	0	358.1	331.3	315.5	301.6	289.3	(2) 2 1/8	(2) 1 1/8	(2) 106	(2) 27	(2) 56	3660
	-5	316.4	292.7	278.8	266.5	255.6						
	-10	278.6	257.8	245.5	234.7	225.1						
	-15	245.7	227.3	216.4	206.9	198.5						
	-20	212.9	197.0	187.6	179.4	172.0						
	-25	184.1	170.3	162.2	155.1	148.8						
-30	157.2	145.4	138.5	132.4	127.0							
RKOD-0600-CS-L2 (2X) 6DT3-3000	0	409.6	378.9	360.9	345.0	330.9	(2) 2 1/8	(2) 1 1/8	(2) 144	(2) 37	(2) 75	3892
	-5	369.8	342.1	325.8	311.5	298.8						
	-10	326.1	301.7	287.3	274.7	263.5						
	-15	286.5	265.0	252.4	241.3	231.5						
	-20	250.8	232.0	221.0	211.2	202.6						
	-25	218.1	201.7	192.1	183.7	176.2						
-30	186.5	172.5	164.3	157.1	150.7							

COPELAND SEMI-HERMETIC COMPRESSOR ELECTRICAL INFORMATION

LOW R-22

Unit model number	Unit compressor	Unit voltage	Compressor			Condenser fan			MCA	MOP
			Qty	RLA	LRA	Qty	HP	FLA		
RKIS-0008-CS-L2-2	KAMB-0075-CAV	208-230/1/60	1	5.6	36	1	1/2	2.9	9.9	20
RKIS-0008-CS-L2-5	KAMA-0075-TAC	208-230/3/60	1	3.2	19.9	1	1/2	2.9	6.9	15
RKIS-0010-CS-L2-2	KAJB-0100-CAV	200-230/1/60	1	6.9	40	1	1/2	2.9	11.5	20
RKIS-0010-CS-L2-5	KAJA-0101-TAC	200-230/3/60	1	4.5	27	1	1/2	2.9	8.5	15
RKIS-0015-CS-L2-2	KAKB-0200-CAV	208-230/1/60	1	10.6	55	1	1/2	2.9	16.2	30
RKIS-0015-CS-L2-5	KAKA-0200-TAC	208-230/3/60	1	6.8	50	1	1/2	2.9	11.4	20
RKIS-0015-CS-L2-9	KAKA-0200-TAD	460/3/60	1	3	25	1	1/2	1.8	5.6	15
RKIS-0020-CS-L2-2	EADB-0200-CAB	208-230/1/60	1	8.4	58	1	1/2	2.9	13.4	25
RKIS-0020-CS-L2-5	EADA-0200-TAC	208-230/3/60	1	6.8	46	1	1/2	2.9	11.4	20
RKIS-0020-CS-L2-9	EADA-0200-TAD	460/3/60	1	3.1	20.4	1	1/2	1.8	5.7	15
RKIS-0025-CS-L2-2	EAVB-0210-CAV	200-230/1/60	1	14.7	102	1	1/2	2.9	21.3	40
RKIS-0025-CS-L2-5	EAVA-0210-TAC	208-230/3/60	1	7.4	50	1	1/2	2.9	12.2	20
RKIS-0025-CS-L2-9	EAVA-0210-TAD	460/3/60	1	3.9	26.6	1	1/2	1.8	6.7	15
RKIS-0030-CS-L2-2	LAHB-311-CAB	230/1/60	1	16.6	93	1	1/2	2.9	23.7	45
RKIS-0030-CS-L2-5	LAHA-0310-TAC	208-230/3/60	1	10.7	82	1	1/2	2.9	16.3	30
RKIS-0030-CS-L2-9	LAHA-0310-TAD	460/3/60	1	5.2	41	1	1/2	1.8	8.3	15
RKIS-0040-CS-L2-2	2DF3-0300-CFB	230/1/60	1	25.8	125	1	1/2	2.9	35.2	70
RKIS-0040-CS-L2-5	2DF3-0300-TFC	208-230/3/60	1	16.8	102	1	1/2	2.9	23.9	45
RKIS-0040-CS-L2-9	2DF3-0300-TFD	460/3/60	1	8.1	52	1	1/2	1.8	11.9	25
RKIS-0040-CS-L2-8	2DF3-0300-TFE	575/3/60	1	6.7	41	1	1/2	1.2	9.6	20
RKIS-0050-CS-L2-5	2DL3-0400-TFC	208-230/3/60	1	26.3	161	1	1/2	2.9	35.8	70
RKIS-0050-CS-L2-9	2DL3-0400-TFD	460/3/60	1	10.2	60	1	1/2	1.8	14.6	25
RKIS-0050-CS-L2-8	2DL3-0400-TFE	575/3/60	1	7.7	49	1	1/2	1.2	10.8	20
RKIS-0060-CS-L2-5	2DA3-0600-TFC	208-230/3/60	1	28.8	161	1	1/2	2.9	38.9	70
RKIS-0060-CS-L2-9	2DA3-0600-TFD	460/3/60	1	10.2	60	1	1/2	1.8	14.6	25
RKIS-0060-CS-L2-8	2DA3-0600-TFE	575/3/60	1	9.1	49	1	1/2	1.2	12.6	25
RKIS-0070-CS-L2-5	3DA3A-0600-TFC	208-230/3/60	1	30.3	150	1	1/2	2.9	40.8	80
RKIS-0070-CS-L2-9	3DA3A-0600-TFD	460/3/60	1	13.7	77	1	1/2	1.8	18.9	35
RKIS-0070-CS-L2-8	3DA3A-0600-TFE	575/3/60	1	10.5	62	1	1/2	1.2	14.3	25
RKIS-0080-CS-L2-5	3DB3A-0750-TFC	208-230/3/60	1	31.5	161	2	1/2	2.9	45.2	80
RKIS-0080-CS-L2-9	3DB3A-0750-TFD	460/3/60	1	16.1	83	2	1/2	1.8	23.7	40
RKIS-0080-CS-L2-8	3DB3A-0750-TFE	575/3/60	1	11	67	2	1/2	1.2	16.2	30
RKIS-0090-CS-L2-5	3DF3A-0900-TFC	208-230/3/60	1	39	215	2	1/2	2.9	54.6	100
RKIS-0090-CS-L2-9	3DF3A-0900-TFD	460/3/60	1	16.9	106	2	1/2	1.8	24.7	45
RKIS-0090-CS-L2-8	3DF3A-0900-TFE	575/3/60	1	16.5	84	2	1/2	1.2	23.0	40
RKIS-0100-CS-L2-5	3DS3A-1000-TFC	208-230/3/60	1	42	215	2	1/2	2.9	58.3	125
RKIS-0100-CS-L2-9	3DS3A-1000-TFD	460/3/60	1	18.6	106	2	1/2	1.8	26.9	50
RKIS-0150-CS-L2-5	4DL3-1500-TSK	208-230/3/60	1	52.6	278	3	1/2	2.9	74.5	150
RKIS-0150-CS-L2-9	4DL3-1500-TSK	460/3/60	1	26.3	139	3	1/2	1.8	38.3	70
RKIS-0150-CS-L2-8	4DL3-1500-TSE	575/3/60	1	20.9	113	3	1/2	1.2	29.7	60
RKIS-0220-CS-L2-5	4DT3-2200-TSK	208-230/3/60	1	66	374	3	1/2	2.9	91.2	175
RKIS-0220-CS-L2-9	4DT3-2200-TSK	460/3/60	1	33	187	3	1/2	1.8	46.7	80
RKIS-0220-CS-L2-8	4DT3-2200-TSE	575/3/60	1	24.2	135	3	1/2	1.2	33.9	60
RKIS-0270-CS-L2-5	6DL3-2700-TSK	208-230/3/60	1	80.8	450	2	1	4.4	109.8	200
RKIS-0270-CS-L2-9	6DL3-2700-TSK	460/3/60	1	40.4	225	2	1	2	54.5	100
RKIS-0270-CS-L2-8	6DL3-2700-TSE	575/3/60	1	32.5	172	2	1	1.6	43.8	80
RKIS-0300-CS-L2-5	6DT3-3000-TSK	208-230/3/60	1	95.6	470	2	1	4.4	128.3	225
RKIS-0300-CS-L2-9	6DT3-3000-TSK	460/3/60	1	47.8	235	2	1	2	63.8	125
RKIS-0300-CS-L2-8	6DT3-3000-TSE	575/3/60	1	39.6	200	2	1	1.6	52.7	100
RKID-0440-CS-L2-9	4DT3-2200-TSK	460/3/60	2	33	187	4	1	2	82.3	125
RKID-0440-CS-L2-8	4DT3-2200-TSE	575/3/60	2	24.2	135	4	1	1.6	60.9	90
RKID-0540-CS-L2-9	6DL3-2700-TSK	460/3/60	2	40.4	225	4	1	2	98.9	150
RKID-0540-CS-L2-8	6DL3-2700-TSE	575/3/60	2	32.5	172	4	1	1.6	79.5	125
RKID-0600-CS-L2-9	6DT3-3000-TSK	460/3/60	2	47.8	235	4	1	2	115.6	175
RKID-0600-CS-L2-8	6DT3-3000-TSE	575/3/60	2	39.6	200	4	1	1.6	95.5	150

R404A COPELAND SEMI-HERMETIC COMPRESSORS

MEDIUM TEMPERATURE												
MODEL	SATURATED SUCTION TEMP °F	80 °F AMB.	90 °F AMB.	95 °F AMB.	100 °F AMB.	105 °F AMB.	LINE SIZE O.D. (INCHES)		RECEIVER LBS	REFRIGERANT CHARGE LBS		SHIPPING WEIGHT LBS
							SUCTION	LIQUID		SUMMER	WINTER	
RKOS-0010-CS-M4 KARB-010E	30	11.1	10.3	9.8	9.4	9.0	5/8	3/8	15	1.7	2.6	341
	25	10.3	9.6	9.1	8.7	8.4						
	20	9.4	8.7	8.3	8.0	7.6						
	15	8.5	7.9	7.5	7.2	6.9						
	10	7.8	7.2	6.8	6.5	6.3						
	5	6.9	6.3	6.0	5.8	5.5						
RKOS-0015-CS-M4 KAKB-021E	30	19.5	18.0	17.1	16.4	15.7	7/8	3/8	15	2.3	4.1	349
	25	17.4	16.1	15.3	14.6	14.0						
	20	15.8	14.6	13.9	13.3	12.7						
	15	14.1	13.1	12.4	11.9	11.4						
	10	12.9	11.9	11.3	10.8	10.4						
	5	11.6	10.7	10.2	9.8	9.4						
RKOS-0020-CS-M4 ERCA-021E	30	25.1	23.2	22.1	21.2	20.3	7/8	3/8	15	3.5	6.2	411
	25	22.7	21.0	20.0	19.1	18.3						
	20	20.5	19.0	18.1	17.3	16.6						
	15	18.3	16.9	16.1	15.4	14.8						
	10	16.5	15.2	14.5	13.9	13.3						
	5	14.6	13.5	12.9	12.3	11.8						
RKOS-0030-CS-M4 ERFA-031E	30	34.4	31.9	30.3	29.0	27.8	1 1/8	1/2	15	4.3	8.1	534
	25	31.2	28.9	27.5	26.3	25.2						
	20	28.2	26.1	24.8	23.7	22.8						
	15	25.5	23.6	22.5	21.5	20.6						
	10	22.9	21.2	20.2	19.3	18.5						
	5	20.5	18.9	18.0	17.2	16.5						
RKOS-0040-CS-M4 NRB2-040E	30	46.0	42.5	40.5	38.7	37.1	1 1/8	1/2	29	7.4	14.0	635
	25	41.6	38.5	36.7	35.1	33.6						
	20	37.4	34.6	32.9	31.5	30.2						
	15	33.6	31.1	29.6	28.3	27.2						
	10	29.9	27.7	26.4	25.2	24.2						
	5	26.5	24.5	23.3	22.3	21.4						
RKOS-0050-CS-M4 2DCE-050E	30	55.0	50.9	48.5	46.3	44.4	1 3/8	1/2	25	7.7	15.0	738
	25	49.9	46.2	44.0	42.0	40.3						
	20	45.2	41.8	39.8	38.0	36.5						
	15	40.7	37.6	35.8	34.2	32.8						
	10	36.4	33.6	32.0	30.6	29.4						
	5	32.3	29.9	28.5	27.2	26.1						
RKOS-0060-CS-M4 2DD3-050E	30	63.7	58.9	56.1	53.7	51.5	1 3/8	1/2	25	7.7	15.0	748
	25	58.1	53.7	51.2	48.9	46.9						
	20	52.6	48.6	46.3	44.3	42.5						
	15	47.5	43.9	41.8	40.0	38.4						
	10	42.7	39.5	37.6	35.9	34.5						
	5	38.1	35.2	33.5	32.1	30.8						
RKOS-0070-CS-M4 2DL3-075E	30	76.8	71.0	67.6	64.7	62.0	1 3/8	5/8	25	9.3	19.0	859
	25	70.2	64.9	61.8	59.1	56.7						
	20	63.8	59.0	56.2	53.7	51.5						
	15	57.7	53.4	50.9	48.6	46.6						
	10	52.1	48.2	45.9	43.9	42.1						
	5	46.8	43.3	41.2	39.4	37.8						
	0	41.9	38.7	36.9	35.3	33.8						

MEDIUM TEMPERATURE

MODEL	SATURATED SUCTION TEMP °F	80 °F AMB.	90 °F AMB.	95 °F AMB.	100 °F AMB.	105 °F AMB.	LINE SIZE O.D. (INCHES)		RECEIVER LBS	REFRIGERANT CHARGE LBS		SHIPPING WEIGHT LBS
							SUCTION	LIQUID		SUMMER	WINTER	
RKOS-0080-CS-M4 2DA3-075E	30	90.9	84.1	80.1	76.6	73.4	1 3/8	5/8	55	12.0	23.0	988
	25	82.9	76.7	73.0	69.8	67.0						
	20	75.3	69.6	66.3	63.4	60.8						
	15	68.4	63.3	60.3	57.6	55.3						
	10	61.7	57.1	54.4	52.0	49.9						
	5	55.6	51.5	49.0	46.9	45.0						
	0	49.9	46.1	43.9	42.0	40.3						
RKOS-0090-CS-M4 3DA3A-075E	30	104.5	96.7	92.1	88.0	84.4	1 3/8	5/8	55	12.0	23.0	1027
	25	95.6	88.5	84.3	80.6	77.3						
	20	87.8	81.2	77.3	73.9	70.9						
	15	79.2	73.3	69.8	66.7	64.0						
	10	71.6	66.2	63.1	60.3	57.8						
	5	64.5	59.7	56.8	54.3	52.1						
	0	57.9	53.5	51.0	48.7	46.8						
RKOS-0100-CS-M4 3DB3A-100E	30	127.2	117.7	112.1	107.2	102.8	1 3/8	7/8	55	14.0	28.0	1132
	25	116.6	107.9	102.8	98.2	94.2						
	20	106.6	98.6	93.9	89.8	86.2						
	15	97.3	90.0	85.7	82.0	78.6						
	10	88.4	81.7	77.8	74.4	71.4						
	5	79.9	73.9	70.4	67.3	64.5						
	0	71.9	66.6	63.4	60.6	58.1						
RKOS-0150-CS-M4 3DS3A-150E	30	172.7	159.8	152.2	145.5	139.5	1 5/8	7/8	72	16.0	32.0	1285
	25	158.3	146.5	139.5	133.4	127.9						
	20	144.5	133.7	127.4	121.8	116.8						
	15	131.8	121.9	116.1	111.0	106.5						
	10	119.6	110.6	105.4	100.7	96.6						
	5	108.1	100.0	95.2	91.0	87.3						
	0	97.4	90.1	85.8	82.0	78.7						
RKOS-0200-CS-M4 4DA3-200E	30	181.1	167.6	159.6	152.6	146.3	1 5/8	7/8	72	20.0	42.0	1442
	25	165.8	153.4	146.1	139.6	133.9						
	20	151.2	139.9	133.2	127.4	122.2						
	15	136.7	126.4	120.4	115.1	110.4						
	10	123.2	114.0	108.6	103.8	99.6						
	5	110.5	102.2	97.4	93.1	89.3						
	0	98.7	91.3	87.0	83.1	79.8						
RKOS-0250-CS-M4 4DH3-250E	30	239.0	221.1	210.6	201.3	193.1	2 1/8	1 1/8	94	25.0	50.0	2142
	25	218.8	202.4	192.8	184.3	176.8						
	20	199.0	184.1	175.3	167.6	160.8						
	15	180.6	167.0	159.1	152.1	145.9						
	10	162.7	150.5	143.4	137.0	131.5						
	5	146.1	135.2	128.7	123.1	118.0						
	0	131.0	121.2	115.4	110.4	105.9						
RKOS-0300-CS-M4 4DJ3-300E	30	273.9	253.4	241.4	230.7	221.3	2 1/8	1 1/8	128	33.0	67.0	2234
	25	250.7	232.0	220.9	211.2	202.6						
	20	228.3	211.2	201.2	192.3	184.5						
	15	207.5	191.9	182.8	174.8	167.6						
	10	187.5	173.5	165.2	158.0	151.5						
	5	168.7	156.1	148.6	142.1	136.3						
	0	151.1	139.8	133.1	127.2	122.1						
RKOS-0350-CS-M4 6DH3-350E	30	354.4	327.9	312.2	298.5	286.3	2 1/8	1 1/8	128	48.0	98.0	2732
	25	323.4	299.2	284.9	272.4	261.3						
	20	293.8	271.8	258.9	247.5	237.4						
	15	266.8	246.8	235.1	224.7	215.6						
	10	241.0	223.0	212.3	203.0	194.7						
	5	217.0	200.7	191.2	182.8	175.3						
	0	194.5	180.0	171.4	163.9	157.2						

MEDIUM TEMPERATURE

MODEL	SATURATED SUCTION TEMP °F	80 °F AMB.	90 °F AMB.	95 °F AMB.	100 °F AMB.	105 °F AMB.	LINE SIZE O.D. (INCHES)		RECEIVER LBS	REFRIGERANT CHARGE LBS		SHIPPING WEIGHT LBS
							SUCTION	LIQUID		SUMMER	WINTER	
RKOS-0400-CS-M4 6DJ3-400E	30	416.1	385.0	366.6	350.5	336.2	2 1/8	1 1/8	162	48.0	98.0	2909
	25	381.9	353.3	336.5	321.7	308.6						
	20	348.9	322.7	307.4	293.8	281.8						
	15	318.0	294.1	280.1	267.8	256.9						
	10	288.4	266.8	254.1	243.0	233.0						
	5	260.5	241.0	229.5	219.4	210.5						
	0	234.4	216.9	206.6	197.5	189.4						
RKOD-0500-CS-M4 (2X) 4DH3-250E	30	478.0	442.2	421.1	402.6	386.2	2(2)2 1/8	(2) 1 1/8	(2) 94	(2) 25	(2) 50	3492
	25	437.6	404.9	385.6	368.6	353.6						
	20	398.0	368.2	350.7	335.2	321.6						
	15	361.1	334.1	318.2	304.2	291.8						
	10	325.4	301.0	286.7	274.1	262.9						
	5	292.2	270.3	257.5	246.1	236.1						
	0	262.0	242.4	230.9	220.7	211.7						
RKOD-0600-CS-M4 (2X) 4DJ3-300E	30	547.9	506.8	482.7	461.5	442.6	(2) 2 1/8	(2) 1 1/8	(2) 128	(2) 33	(2) 67	3660
	25	501.5	463.9	441.8	422.4	405.2						
	20	456.7	422.5	402.4	384.7	369.0						
	15	415.0	383.9	365.6	349.5	335.3						
	10	375.1	347.0	330.5	315.9	303.0						
	5	337.4	312.1	297.2	284.2	272.6						
	0	302.1	279.5	266.2	254.5	244.1						
RKOD-0700-CS-M4 (2X) 6DH3-350E	30	708.8	655.7	624.5	597.0	572.7	(2) 2 1/8	(2) 1 1/8	(2) 128	(2) 48	(2) 98	4717
	25	646.8	598.3	569.8	544.8	522.5						
	20	587.6	543.6	517.7	494.9	474.8						
	15	533.6	493.6	470.1	449.4	431.1						
	10	482.0	445.9	424.7	406.0	389.4						
	5	434.0	401.5	382.4	365.5	350.6						
	0	389.1	359.9	342.8	327.7	314.3						
RKOD-0800-CS-M4 (2X) 6DJ3-400E	30	832.3	769.9	733.3	701.0	672.4	(2) 2 1/8	(2) 1 1/8	(2) 162	(2) 48	(2) 98	5047
	25	763.8	706.6	673.0	643.4	617.1						
	20	697.7	645.5	614.7	587.7	563.7						
	15	635.9	588.3	560.3	535.6	513.8						
	10	576.9	533.7	508.3	485.9	466.1						
	5	521.0	482.0	459.1	438.9	421.0						
	0	468.9	433.8	413.1	394.9	378.8						

COPELAND SEMI-HERMETIC COMPRESSOR ELECTRICAL INFORMATION

MEDIUM R-404A

Unit model number	Unit compressor	Unit voltage	Compressor			Condenser fan			MCA	MOP
			Qty	RLA	LRA	Qty	HP	FLA		
RKIS-0010-CS-M4-2	KARB-010E-CAV	208-230/1/60	1	7.4	40	1	1/2	2.9	12.2	20
RKIS-0010-CS-M4-5	KARA-010E-TAC	208-230/3/60	1	4.3	27	1	1/2	2.9	8.3	15
RKIS-0015-CS-M4-2	KAKB-021E-CAV	208-230/1/60	1	10.6	55	1	1/2	2.9	16.2	30
RKIS-0015-CS-M4-5	KAKA-020E-TAC	208-230/3/60	1	6.8	50	1	1/2	2.9	11.4	20
RKIS-0020-CS-M4-5	ERCA-021E-TAC	208-230/3/60	1	8.8	46	1	1/2	2.9	13.9	25
RKIS-0020-CS-M4-9	ERCA-020E-TAD	460/3	1	3.5	23	1	1/2	1.8	6.2	15
RKIS-0020-CS-M4-8	ERCA-020E-TAE	575/3/60	1	3.1	20	1	1/2	1.2	5.1	15
RKIS-0030-CS-M4-5	ERFA-031E-TAC	208-230/3/60	1	12.4	82	1	1/2	2.9	18.4	35
RKIS-0030-CS-M4-9	ERFA-031E-TAD	460/3/60	1	5.8	41	1	1/2	1.8	9.1	15
RKIS-0030-CS-M4-8	ERFA-031E-TAE	575/3/60	1	5.2	30	1	1/2	1.2	7.7	15
RKIS-0040-CS-M4-5	NRB2-040E-TFC	208-230/3/60	1	21.8	141	1	1/2	2.9	30.2	60
RKIS-0040-CS-M4-9	NRB2-040E-TFD	460/3/60	1	9	62.5	1	1/2	1.8	13.1	25
RKIS-0050-CS-M4-5	2DC3-050E-TFC	208-230/3/60	1	22.3	120	1	1/2	2.9	30.8	60
RKIS-0050-CS-M4-9	2DC3-050E-TFD	460/3/60	1	10.4	60	1	1/2	1.8	14.8	30
RKIS-0050-CS-M4-8	2DC3-050E-TFE	575/3/60	1	7.7	49	1	1/2	1.2	10.8	20
RKIS-0060-CS-M4-5	2DD3-050E-TFC	208-230/3/60	1	22.3	120	1	1/2	2.9	30.8	60
RKIS-0060-CS-M4-9	2DD3-050E-TFD	460/3/60	1	10.5	60	1	1/2	1.8	14.9	30
RKIS-0060-CS-M4-8	2DD3-050E-TFE	575/3/60	1	7.9	49	1	1/2	1.2	11.1	20
RKIS-0070-CS-M4-5	2DL3-075E-TFC	208-230/3/60	1	31.6	169	1	1/2	2.9	42.4	80
RKIS-0070-CS-M4-9	2DL3-075E-TFD	460/3/60	1	13.8	85	1	1/2	1.8	19.1	35
RKIS-0070-CS-M4-8	2DL3-075E-TFE	575/3/60	1	13.2	67	1	1/2	1.2	17.7	35
RKIS-0080-CS-M4-5	2DA3-075E-TFC	208-230/3/60	1	32	169	2	1/2	2.9	45.8	80
RKIS-0080-CS-M4-9	2DA3-075E-TFD	460/3/60	1	14.1	85	2	1/2	1.8	21.2	40
RKIS-0080-CS-M4-8	2DA3-075E-TFE	575/3/60	1	13.3	67	2	1/2	1.2	19.0	35
RKIS-0090-CS-M4-5	3DA3A075E-TFC	208-230/3/60	1	41	215	2	1/2	2.9	57.1	100
RKIS-0090-CS-M4-9	3DA3A075E-TFD	460/3/60	1	20	106	2	1/2	1.8	28.6	50
RKIS-0090-CS-M4-8	3DA3A075E-TFE	575/3/60	1	16.5	84	2	1/2	1.2	23.0	40
RKIS-0100-CS-M4-5	3DB3A100E-TFC	208-230/3/60	1	43.6	215	2	1/2	2.9	60.3	125
RKIS-0100-CS-M4-9	3DB3A100E-TFD	460/3/60	1	20	106	2	1/2	1.8	28.6	50
RKIS-0100-CS-M4-8	3DB3A100E-TFE	575/3/60	1	16.5	84	2	1/2	1.2	23.0	40
RKIS-0150-CS-M4-5	3DS3A150E-TFC	208-230/3/60	1	59.6	275	3	1/2	2.9	83.2	150
RKIS-0150-CS-M4-9	3DS3A150E-TFD	460/3/60	1	29	138	3	1/2	1.8	41.7	80
RKIS-0150-CS-M4-8	3DS3A150E-TFE	575/3/60	1	23.6	110	3	1/2	1.2	33.1	60
RKIS-0200-CS-M4-5	4DA3-200E-TSK	208-230/3/60	1	66	308	3	1/2	2.9	91.2	175
RKIS-0200-CS-M4-9	4DA3-200E-TSK	460/3/60	1	33	154	3	1/2	1.8	46.7	80
RKIS-0200-CS-M4-8	4DA3-200E-TSE	575/3/60	1	24.7	135	3	1/2	1.2	34.5	60
RKIS-0250-CS-M4-5	4DH3-250E-TSK	208-230/3/60	1	82.2	428	2	1	4.4	111.6	200
RKIS-0250-CS-M4-9	4DH3-250E-TSK	460/3/60	1	41.1	214	2	1	2	55.4	100
RKIS-0250-CS-M4-8	4DH3-250E-TSE	575/3/60	1	34.4	172	2	1	1.6	46.2	90
RKIS-0300-CS-M4-5	4DJ3-300E-TSK	208-230/3/60	1	94	470	2	1	4.4	126.3	225
RKIS-0300-CS-M4-9	4DJ3-300E-TSK	460/3/60	1	47	235	2	1	2	62.8	125
RKIS-0300-CS-M4-8	4DJ3-300E-TSE	575/3/60	1	39.3	200	2	1	1.6	52.3	100
RKIS-0350-CS-M4-5	6DH3-350E-TSK	208-230/3/60	1	107	565	3	1	4.4	147.0	275
RKIS-0350-CS-M4-9	6DH3-350E-TSK	460/3/60	1	53.7	283	3	1	2	73.1	150
RKIS-0350-CS-M4-8	6DH3-350E-TSE	575/3/60	1	42.5	230	3	1	1.6	57.9	125
RKIS-0400-CS-M4-5	6DJ3-400E-TSN	230/3/60	1	142	594	3	1	4.4	190.7	275
RKIS-0400-CS-M4-9	6DJ3-400E-TSN	460/3/60	1	71	297	3	1	2	94.8	175
RKIS-0400-CS-M4-8	6DJ3-400E-TSE	575/3/60	1	53.5	245	3	1	1.6	71.7	150
RKID-0500-CS-M4-9	4DH3-250E-TSK	460/3/60	2	41.1	214	4	1	2	100.5	150
RKID-0500-CS-M4-8	4DH3-250E-TSE	575/3/60	2	34.4	172	4	1	1.6	83.8	125
RKID-0600-CS-M4-9	4DJ3-300E-TSK	460/3/60	2	47	235	4	1	2	113.8	175
RKID-0600-CS-M4-8	4DJ3-300E-TSE	575/3/60	2	39.3	200	4	1	1.6	94.8	150
RKID-0700-CS-M4-9	6DH3-350E-TSK	460/3/60	2	53.7	283	6	1	2	132.8	200
RKID-0700-CS-M4-8	6DH3-350E-TSE	575/3/60	2	42.5	230	6	1	1.6	105.2	150
RKID-0800-CS-M4-9	6DJ3-400E-TSN	460/3/60	2	71	297	6	1	2	171.8	250
RKID-0800-CS-M4-8	6DJ3-400E-TSE	575/3/60	2	53.5	245	6	1	1.6	130.0	200

R404A COPELAND SEMI-HERMETIC COMPRESSORS

LOW TEMPERATURE												
MODEL	SATURATED SUCTION TEMP °F	80 °F AMB.	90 °F AMB.	95 °F AMB.	100 °F AMB.	105 °F AMB.	LINE SIZE O.D. (INCHES)		RECEIVER LBS	REFRIGERANT CHARGE LBS		SHIPPING WEIGHT LBS
							SUCTION	LIQUID		SUMMER	WINTER	
RKOS-0008-CS-L4 KAMA-007E	0	6.6	6.2	5.9	5.6	5.4	5/8	3/8	15	1.7	2.6	337
	-5	6.0	5.5	5.3	5.0	4.8						
	-10	5.3	4.9	4.6	4.4	4.3						
	-15	4.6	4.2	4.0	3.9	3.7						
	-20	3.9	3.6	3.4	3.3	3.1						
	-25	3.3	3.1	2.9	2.8	2.7						
	-30	2.9	2.7	2.5	2.4	2.3						
	-34	2.4	2.2	2.1	2.0	1.9						
-40	2.2	2.0	1.9	1.8	1.8							
RKOS-0010-CS-L4 KAJB-010E	0	8.3	7.7	7.3	7.0	6.7	5/8	3/8	15	1.7	2.6	344
	-5	7.4	6.9	6.5	6.2	6.0						
	-10	6.5	6.0	5.7	5.5	5.3						
	-15	5.7	5.3	5.0	4.8	4.6						
	-20	4.9	4.6	4.4	4.2	4.0						
	-25	4.3	4.0	3.8	3.6	3.5						
	-30	3.7	3.4	3.3	3.1	3.0						
	-35	3.1	2.9	2.8	2.7	2.5						
-40	2.6	2.4	2.3	2.2	2.1							
RKOS-0015-CS-L4 KALB-015E	0	10.0	9.2	8.8	8.4	8.0	5/8	3/8	15	2.3	4.1	354
	-5	8.7	8.0	7.7	7.3	7.0						
	-10	7.6	7.1	6.7	6.4	6.2						
	-15	6.8	6.3	6.0	5.8	5.5						
	-20	6.0	5.6	5.3	5.1	4.9						
	-25	5.3	4.9	4.7	4.5	4.3						
	-30	4.6	4.3	4.1	3.9	3.7						
	-34	3.8	3.5	3.4	3.2	3.1						
-40	3.0	2.8	2.7	2.5	2.4							
RKOS-0017-CS-L4 KALA-016E	0	12.6	11.7	11.1	10.6	10.2	7/8	3/8	15	2.3	4.1	375
	-5	11.2	10.4	9.9	9.5	9.1						
	-10	10.1	9.3	8.9	8.5	8.1						
	-15	8.8	8.1	7.8	7.4	7.1						
	-20	7.8	7.2	6.8	6.5	6.3						
	-25	6.7	6.2	5.9	5.7	5.4						
	-30	5.8	5.4	5.1	4.9	4.7						
	-35	4.9	4.5	4.3	4.1	3.9						
-40	4.1	3.8	3.6	3.4	3.3							
RKOS-0020-CS-L4 EADA-020E	0	15.6	14.4	13.7	13.1	12.6	7/8	3/8	15	3.5	6.1	464
	-5	13.7	12.7	12.1	11.5	11.1						
	-10	12.1	11.2	10.7	10.2	9.8						
	-15	10.4	9.6	9.1	8.7	8.4						
	-20	9.0	8.3	7.9	7.6	7.3						
	-25	7.6	7.0	6.7	6.4	6.1						
	-30	6.5	6.0	5.7	5.4	5.2						
	-34	5.4	5.0	4.8	4.6	4.4						
-40	4.5	4.2	4.0	3.8	3.6							
RKOS-0025-CS-L4 EAVA-021E	0	17.3	16.0	15.2	14.6	14.0	7/8	3/8	15	3.5	6.1	512
	-5	15.3	14.2	13.5	12.9	12.4						
	-10	13.6	12.6	12.0	11.5	11.0						
	-15	11.9	11.0	10.5	10.0	9.6						
	-20	10.4	9.6	9.1	8.7	8.4						
	-25	8.9	8.2	7.8	7.5	7.2						
	-30	7.6	7.0	6.7	6.4	6.1						
	-35	6.5	6.0	5.7	5.4	5.2						
-40	5.4	5.0	4.8	4.6	4.4							

LOW TEMPERATURE

MODEL	SATURATED SUCTION TEMP °F	80 °F AMB.	90 °F AMB.	95 °F AMB.	100 °F AMB.	105 °F AMB.	LINE SIZE O.D. (INCHES)		RECEIVER LBS	REFRIGERANT CHARGE LBS		SHIPPING WEIGHT LBS
							SUCTION	LIQUID		SUMMER	WINTER	
RKOS-0030-CS-L4 LAHA-032E	0	25.8	23.9	22.8	21.8	20.9	1 1/8	1/2	15	4.3	8.1	574
	-5	22.9	21.2	20.2	19.3	18.5						
	-10	20.2	18.7	17.8	17.0	16.4						
	-15	17.4	16.1	15.4	14.7	14.1						
	-20	15.0	13.9	13.2	12.6	12.1						
	-25	12.6	11.7	11.1	10.6	10.2						
	-30	10.5	9.7	9.3	8.9	8.5						
	-40	6.7	6.2	5.9	5.7	5.4						
RKOS-0040-CS-L4 2DF3-030E	0	34.4	31.8	30.3	29.0	27.8	1 3/8	1/2	25	6.6	12.0	684
	-5	30.8	28.5	27.2	26.0	24.9						
	-10	27.5	25.4	24.2	23.2	22.2						
	-15	24.1	22.3	21.3	20.3	19.5						
	-20	21.1	19.6	18.6	17.8	17.1						
	-25	18.4	17.0	16.2	15.5	14.8						
	-30	15.8	14.6	13.9	13.3	12.8						
	-40	11.2	10.4	9.9	9.5	9.1						
RKOS-0050-CS-L4 2DL3-040E	0	43.0	39.8	37.9	36.2	34.7	1 3/8	1/2	25	7.7	15.0	748
	-5	38.6	35.7	34.0	32.5	31.2						
	-10	34.3	31.7	30.2	28.9	27.7						
	-15	30.3	28.1	26.7	25.6	24.5						
	-20	26.8	24.8	23.6	22.5	21.6						
	-25	23.3	21.5	20.5	19.6	18.8						
	-30	20.3	18.8	17.9	17.1	16.4						
	-40	14.5	13.4	12.8	12.2	11.7						
RKOS-0060-CS-L4 2DA3-060E	0	47.3	43.7	41.6	39.8	38.2	1 3/8	1/2	25	7.7	15.0	759
	-5	42.5	39.4	37.5	35.8	34.4						
	-10	38.1	35.2	33.5	32.1	30.8						
	-15	33.9	31.4	29.9	28.6	27.4						
	-20	30.0	27.8	26.4	25.3	24.2						
	-25	26.4	24.5	23.3	22.3	21.4						
	-30	23.0	21.3	20.3	19.4	18.6						
	-40	16.7	15.4	14.7	14.0	13.5						
RKOS-0070-CS-L4 3DA3A-060E	0	56.5	52.2	49.7	47.6	45.6	1 3/8	5/8	25	9.3	19.0	917
	-5	50.9	47.1	44.8	42.9	41.1						
	-10	45.5	42.1	40.1	38.3	36.8						
	-15	40.6	37.6	35.8	34.2	32.8						
	-20	35.9	33.2	31.7	30.3	29.0						
	-25	31.6	29.2	27.8	26.6	25.5						
	-30	27.6	25.5	24.3	23.3	22.3						
	-40	20.4	18.9	18.0	17.2	16.5						
RKOS-0080-CS-L4 3DBA-075E	0	67.4	62.3	59.4	56.8	54.4	1 3/8	5/8	55	12.0	23.0	1048
	-5	60.9	56.3	53.6	51.3	49.2						
	-10	54.4	50.3	47.9	45.8	44.0						
	-15	48.1	44.5	42.4	40.5	38.9						
	-20	42.6	39.4	37.5	35.9	34.4						
	-25	37.5	34.7	33.0	31.6	30.3						
	-30	32.7	30.2	28.8	27.5	26.4						
	-40	23.9	22.1	21.1	20.2	19.3						

LOW TEMPERATURE

MODEL	SATURATED SUCTION TEMP °F	80 °F AMB.	90 °F AMB.	95 °F AMB.	100 °F AMB.	105 °F AMB.	LINE SIZE O.D. (INCHES)		RECEIVER LBS	REFRIGERANT CHARGE LBS		SHIPPING WEIGHT LBS
							SUCTION	LIQUID		SUMMER	WINTER	
RKOS-0090-CS-L4 3DF3A-090E	0	80.8	74.7	71.2	68.1	65.3	1 3/8	5/8	55	12.0	23.0	1053
	-5	72.7	67.3	64.1	61.2	58.7						
	-10	65.3	60.4	57.5	55.0	52.8						
	-15	57.9	53.5	51.0	48.7	46.8						
	-20	51.2	47.4	45.1	43.2	41.4						
	-25	45.0	41.6	39.6	37.9	36.3						
	-30	39.2	36.3	34.6	33.0	31.7						
	-40	28.9	26.7	25.4	24.3	23.3						
RKOS-0100-CS-L4 3DS3A-100E	0	93.6	86.6	82.5	78.8	75.6	1 3/8	7/8	55	14.0	28.0	1152
	-5	84.6	78.3	74.6	71.3	68.4						
	-10	75.9	70.2	66.9	63.9	61.3						
	-15	68.0	62.9	59.9	57.3	54.9						
	-20	60.3	55.8	53.1	50.8	48.7						
	-25	53.2	49.2	46.9	44.8	43.0						
	-30	46.4	43.0	40.9	39.1	37.5						
	-40	34.3	31.8	30.3	28.9	27.7						
RKOS-0150-CS-L4 4DL3-150E	0	125.6	116.2	110.6	105.8	101.5	1 5/8	7/8	72	16.0	32.0	1339
	-5	114.0	105.4	100.4	96.0	92.1						
	-10	102.6	94.9	90.4	86.4	82.9						
	-15	91.5	84.7	80.6	77.1	74.0						
	-20	81.9	75.7	72.1	69.0	66.2						
	-25	72.8	67.3	64.1	61.3	58.8						
	-30	64.2	59.4	56.5	54.0	51.8						
	-40	46.8	43.3	41.2	39.4	37.8						
RKOS-0220-CS-L4 4DT3-220E	0	146.5	135.5	129.1	123.4	118.4	2 1/8	1 1/8	72	20.0	42.0	1474
	-5	133.2	123.2	117.4	112.2	107.6						
	-10	120.3	111.3	106.0	101.3	97.2						
	-15	108.3	100.2	95.5	91.3	87.5						
	-20	96.9	89.6	85.4	81.6	78.3						
	-25	85.8	79.3	75.6	72.2	69.3						
	-30	75.2	69.6	66.3	63.3	60.8						
	-40	54.7	50.6	48.2	46.1	44.2						
RKOS-0270-CS-L4 6DL3-270E	0	192.5	178.1	169.6	162.2	155.6	2 1/8	1 1/8	94	25.0	50.0	2225
	-5	174.2	161.2	153.5	146.7	140.8						
	-10	156.2	144.5	137.7	131.6	126.2						
	-15	139.5	129.1	122.9	117.5	112.7						
	-20	123.3	114.1	108.6	103.8	99.6						
	-25	108.0	99.9	95.1	90.9	87.2						
	-30	93.8	86.8	82.6	79.0	75.8						
	-40	68.3	63.2	60.2	57.6	55.2						
RKOS-0300-CS-L4 6DT3-300E	0	205.7	190.3	181.2	173.3	166.2	2 1/8	1 1/8	128	33.0	67.0	2349
	-5	185.9	171.9	163.8	156.5	150.2						
	-10	166.8	154.3	147.0	140.5	134.8						
	-15	149.2	138.0	131.4	125.7	120.5						
	-20	132.3	122.4	116.6	111.5	106.9						
	-25	116.6	107.9	102.8	98.2	94.2						
	-30	101.8	94.2	89.7	85.7	82.2						
	-40	74.8	69.2	65.9	63.0	60.4						

LOW TEMPERATURE

MODEL	SATURATED SUCTION TEMP °F	80 °F AMB.	90 °F AMB.	95 °F AMB.	100 °F AMB.	105 °F AMB.	LINE SIZE O.D. (INCHES)		RECEIVER LBS	REFRIGERANT CHARGE LBS		SHIPPING WEIGHT LBS
							SUCTION	LIQUID		SUMMER	WINTER	
RKOD-0440-CS-L4 (2X) 4DT3-220E	0	292.4	270.5	257.7	246.3	236.3	(2) 2 1/8	(2) 1 1/8	(2) 94	(2) 19	(2) 36	3189
	-5	265.9	246.0	234.3	224.0	214.8						
	-10	240.0	222.1	211.5	202.2	193.9						
	-15	216.2	200.1	190.5	182.1	174.7						
	-20	193.4	178.9	170.4	162.9	156.2						
	-25	171.2	158.3	150.8	144.2	138.3						
	-30	150.1	138.9	132.3	126.4	121.3						
	-34	129.5	119.8	114.1	109.1	104.6						
-40	109.2	101.0	96.2	91.9	88.2							
RKOD-0540-CS-L4 (2X) 6DL3-270E	0	385.1	356.3	339.3	324.4	311.1	(2) 2 1/8	(2) 1 1/8	(2) 94	(2) 25	(2) 50	3660
	-5	348.5	322.4	307.0	293.5	281.5						
	-10	312.5	289.1	275.3	263.2	252.5						
	-15	279.1	258.2	245.9	235.1	225.5						
	-20	246.6	228.1	217.3	207.7	199.2						
	-25	215.9	199.8	190.3	181.9	174.5						
	-30	187.6	173.5	165.3	158.0	151.6						
	-35	161.3	149.2	142.1	135.9	130.3						
-40	136.7	126.4	120.4	115.1	110.4							
RKOD-0600-CS-L4 (2X) 6DT3-300E	0	441.5	408.4	389.0	371.9	356.7	(2) 2 1/8	(2) 1 1/8	(2) 128	(2) 33	(2) 67	3892
	-5	37.2	34.4	32.8	31.4	30.1						
	-10	333.6	308.6	293.9	281.0	269.5						
	-15	298.4	276.0	262.9	251.3	241.1						
	-20	264.7	244.9	233.2	222.9	213.8						
	-25	233.2	215.8	205.5	196.5	188.4						
	-30	203.6	188.3	179.4	171.5	164.5						
	-34	175.9	162.8	155.0	148.2	142.1						
-40	149.6	138.4	131.8	126.0	120.9							

COPELAND SEMI-HERMETIC COMPRESSOR ELECTRICAL INFORMATION

LOW R-404A

Unit model number	Unit compressor	Unit voltage	Compressor			Condenser fan			MCA	MOP
			Qty	RLA	LRA	Qty	HP	FLA		
RKIS-0008-CS-L4-2	KAMB-007E-CAV	208-230/1/60	1	5.6	36	1	1/2	2.9	9.9	20
RKIS-0008-CS-L4-5	KAMA-007E-TAC	208-230/3/60	1	3.2	19.9	1	1/2	2.9	6.9	15
RKIS-0010-CS-L4-2	KAJB-010E-CAV	208-230/1/60	1	6.9	40	1	1/2	2.9	11.5	20
RKIS-0010-CS-L4-5	KAJA-011E-TAC	208-230/3/60	1	4.6	27	1	1/2	2.9	8.7	15
RKIS-0010-CS-L4-9	KAJA-011E-TAD	460/3/60	1	2.1	15	1	1/2	1.8	4.4	15
RKIS-0015-CS-L4-5	KAKB-011E-CAV	208-230/1/60	1	7.9	40	1	1/2	2.9	12.8	25
RKIS-0017-CS-L4-2	KALB-015E-CAV	208-230/1/60	1	9.9	55	1	1/2	2.9	15.3	30
RKIS-0017-CS-L4-5	KALA-016E-TAC	208-230/3/60	1	6.6	50	1	1/2	2.9	11.2	20
RKIS-0017-CS-L4-9	KALA-016E-TAD	460/3/60	1	3.4	25	1	1/2	1.8	6.1	15
RKIS-0020-CS-L4-2	EADB-021E-CAB	230/1/60	1	10	58	1	1/2	2.9	15.4	30
RKIS-0020-CS-L4-5	EADA-020E-TAC	208-230/3/60	1	6.8	46	1	1/2	2.9	11.4	20
RKIS-0025-CS-L4-2	EAVB-021E-CAV	208-230/1/60	1	14.7	102	1	1/2	2.9	21.3	40
RKIS-0025-CS-L4-5	EAVA-021E-TAC	208-230/3/60	1	7.4	50	1	1/2	2.9	12.2	20
RKIS-0025-CS-L4-9	EAVA-021E-TAD	460/3/60	1	3.9	26.6	1	1/2	1.8	6.7	15
RKIS-0025-CS-L4-8	EAVA-021E-TAE	575/3/60	1	3.1	20	1	1/2	1.2	5.1	15
RKIS-0030-CS-L4-2	LAHB-032E-CAB	230/1/60	1	16.7	105	1	1/2	2.9	23.8	45
RKIS-0030-CS-L4-5	LAHA-032E-TAC	208-230/3/60	1	12.8	112	1	1/2	2.9	18.9	35
RKIS-0030-CS-L4-9	LAHA-032E-TAD	460/3/60	1	6	56	1	1/2	1.8	9.3	20
RKIS-0030-CS-L4-8	LAHA-032E-TAE	575/3/60	1	4.1	30	1	1/2	1.2	6.3	15
RKIS-0040-CS-L4-2	2DF3-030E-CFB	230/1/60	1	25.8	125	1	1/2	2.9	35.2	70
RKIS-0040-CS-L4-5	2DF3-030E-TFC	208-230/3/60	1	16.8	102	1	1/2	2.9	23.9	45
RKIS-0040-CS-L4-9	2DF3-030E-TFD	460/3/60	1	8.1	52	1	1/2	1.8	11.9	25
RKIS-0040-CS-L4-8	2DF3-030E-TFE	575/3/60	1	6.7	41	1	1/2	1.2	9.6	20
RKIS-0050-CS-L4-5	2DL3-040E-TFC	208-230/3/60	1	26.3	161	1	1/2	2.9	35.8	70
RKIS-0050-CS-L4-9	2DL3-040E-TFD	460/3/60	1	10.2	60	1	1/2	1.8	14.6	25
RKIS-0050-CS-L4-8	2DL3-040E-TFE	575/3/60	1	7.7	49	1	1/2	1.2	10.8	20
RKIS-0060-CS-L4-5	2DA3-060E-TFC	208-230/3/60	1	28.8	161	1	1/2	2.9	38.9	70
RKIS-0060-CS-L4-9	2DA3-060E-TFD	460/3/60	1	10.2	60	1	1/2	1.8	14.6	25
RKIS-0060-CS-L4-8	2DA3-060E-TFE	575/3/60	1	9.1	49	1	1/2	1.2	12.6	25
RKIS-0070-CS-L4-5	3DA3A060E-TFC	208-230/3/60	1	30.3	150	1	1/2	2.9	40.8	80
RKIS-0070-CS-L4-9	3DA3A060E-TFD	460/3/60	1	13.7	77	1	1/2	1.8	18.9	35
RKIS-0070-CS-L4-8	3DA3A060E-TFE	575/3/60	1	10.5	62	1	1/2	1.2	14.3	25
RKIS-0080-CS-L4-5	3DB3A075E-TFC	208-230/3/60	1	31.5	161	2	1/2	2.9	45.2	80
RKIS-0080-CS-L4-9	3DB3A075E-TFD	460/3/60	1	16.1	83	2	1/2	1.8	23.7	40
RKIS-0080-CS-L4-8	3DB3A075E-TFE	575/3/60	1	11	67	2	1/2	1.2	16.2	30
RKIS-0090-CS-L4-5	3DF3A090E-TFC	208-230/3/60	1	39	215	2	1/2	2.9	54.6	100
RKIS-0090-CS-L4-9	3DF3A090E-TFD	460/3/60	1	16.9	106	2	1/2	1.8	24.7	45
RKIS-0090-CS-L4-8	3DF3A090E-TFE	575/3/60	1	16.5	84	2	1/2	1.2	23.0	40
RKIS-0100-CS-L4-5	3DS3A100E-TFC	208-230/3/60	1	42	215	2	1/2	2.9	58.3	125
RKIS-0100-CS-L4-9	3DS3A100E-TFD	460/3/60	1	18.6	106	2	1/2	1.8	26.9	50
RKIS-0100-CS-L4-8	3DS3A100E-TFE	575/3/60	1	16.8	84	2	1/2	1.2	23.4	45
RKIS-0150-CS-L4-5	4DL3-150E-TSK	208-230/3/60	1	52.6	278	3	1/2	2.9	74.5	150
RKIS-0150-CS-L4-9	4DL3-150E-TSK	460/3/60	1	26.3	139	3	1/2	1.8	38.3	70
RKIS-0150-CS-L4-8	4DL3-150E-TSE	575/3/60	1	20.9	113	3	1/2	1.2	29.7	60
RKIS-0220-CS-L4-5	4DT3-220E-TSK	208-230/3/60	1	66	374	3	1/2	2.9	91.2	175
RKIS-0220-CS-L4-9	4DT3-220E-TSK	460/3/60	1	33	187	3	1/2	1.8	46.7	80
RKIS-0220-CS-L4-8	4DT3-220E-TSE	575/3/60	1	24.2	135	3	1/2	1.2	33.9	60
RKIS-0270-CS-L4-5	6DL3-270E-TSK	208-230/3/60	1	80.8	450	2	1	4.4	109.8	200
RKIS-0270-CS-L4-9	6DL3-270E-TSK	460/3/60	1	40.4	225	2	1	2	54.5	100
RKIS-0270-CS-L4-8	6DL3-270E-TSE	575/3/60	1	32.5	172	2	1	1.6	43.8	80
RKIS-0300-CS-L4-5	6DT3-300E-TSK	208-230/3/60	1	95.6	470	2	1	4.4	128.3	225
RKIS-0300-CS-L4-9	6DT3-300E-TSK	460/3/60	1	47.8	235	2	1	2	63.8	125
RKIS-0300-CS-L4-8	6DT3-300E-TSE	575/3/60	1	39.6	200	2	1	1.6	52.7	100
RKID-0440-CS-L4-9	4DT3-220E-TSK	460/3/60	2	33	187	4	1	2	82.3	125
RKID-0440-CS-L4-8	4DT3-220E-TSE	575/3/60	2	24.2	135	4	1	1.6	60.9	90
RKID-0540-CS-L4-9	6DL3-270E-TSK	460/3/60	2	40.4	225	4	1	2	98.9	150
RKID-0540-CS-L4-8	6DL3-270E-TSE	575/3/60	2	32.5	172	4	1	1.6	79.5	125
RKID-0600-CS-L4-9	6DT3-300E-TSK	460/3/60	2	47.8	235	4	1	2	115.6	175
RKID-0600-CS-L4-8	6DT3-300E-TSE	575/3/60	2	39.6	200	4	1	1.6	95.5	150

R22 COPELAND SCROLL COMPRESSORS

HIGH TEMPERATURE												
MODEL	SATURATED SUCTION TEMP °F	80 °F AMB.	90 °F AMB.	95 °F AMB.	100 °F AMB.	105 °F AMB.	LINE SIZE O.D. (INCHES)		RECEIVER LBS	REFRIGERANT CHARGE LBS		SHIPPING WEIGHT LBS
							SUCTION	LIQUID		SUMMER	WINTER	
RKOS-0015-CZ-H2 ZR18K3	45	22.4	20.7	20.1	18.8	18.1	5/8	3/8	17	2.6	4.6	309
	40	20.3	18.8	18.3	17.1	16.4						
	35	18.4	17.0	16.5	15.5	14.9						
	30	16.6	15.3	14.9	14.0	13.4						
	25	15.2	14.1	13.7	12.8	12.3						
	20	13.6	12.6	12.2	11.5	11.0						
RKOS-0020-CZ-H2 ZR24K3	45	30.5	28.2	27.3	25.7	24.7	5/8	3/8	17	3.9	6.8	382
	40	27.8	25.7	24.9	23.4	22.5						
	35	25.2	23.3	22.5	21.2	20.4						
	30	22.7	21.0	20.3	19.1	18.3						
	25	20.8	19.2	18.6	17.5	16.8						
	20	18.6	17.2	16.6	15.7	15.0						
RKOS-0025-CZ-H2 ZR30K3	45	37.6	34.8	33.6	31.6	30.4	7/8	3/8	17	3.9	6.8	405
	40	34.2	31.6	30.6	28.8	27.6						
	35	30.9	28.6	27.6	26.0	24.9						
	30	28.3	26.1	25.3	23.8	22.8						
	25	25.4	23.5	22.7	21.4	20.5						
	20	22.8	21.1	20.4	19.2	18.4						
RKOS-0030-CZ-H2 ZR36K3	45	44.9	41.6	39.0	37.9	36.3	7/8	1/2	17	4.8	9.1	429
	40	41.0	37.9	35.6	34.5	33.1						
	35	37.2	34.4	32.3	31.4	30.1						
	30	33.4	30.9	29.0	28.1	27.0						
	25	30.5	28.2	26.5	25.7	24.7						
	20	27.4	25.3	23.7	23.0	22.1						
RKOS-0035-CZ-H2 ZR42K3	45	52.2	48.3	45.3	44.0	42.2	7/8	1/2	29	7.4	14.0	462
	40	47.6	44.0	41.3	40.1	38.4						
	35	43.0	39.8	37.3	36.2	34.8						
	30	38.5	35.6	33.4	32.4	31.1						
	25	35.3	32.7	30.6	29.7	28.5						
	20	31.7	29.3	27.5	26.7	25.6						
RKOS-0040-CZ-H2 ZR48K3	45	60.5	56.0	52.3	51.0	48.9	7/8	1/2	29	7.4	14.0	484
	40	55.0	50.9	47.5	46.4	44.5						
	35	49.8	46.1	43.0	42.0	40.3						
	30	44.7	41.4	38.6	37.7	36.1						
	25	41.1	38.0	35.5	34.6	33.2						
	20	36.8	34.0	31.8	31.0	29.7						
RKOS-0050-CZ-H2 ZR61K3	45	74.5	68.9	66.9	62.7	60.2	7/8	1/2	29	8.7	17.0	553
	40	67.9	62.8	61.0	57.2	54.8						
	35	61.6	57.0	55.4	51.9	49.8						
	30	55.7	51.6	50.1	46.9	45.0						
	25	51.0	47.1	45.8	42.9	41.2						
	20	45.7	42.3	41.1	38.5	37.0						
	15	40.9	37.8	36.7	34.4	33.0						

HIGH TEMPERATURE

MODEL	SATURATED SUCTION TEMP °F	80 °F AMB.	90 °F AMB.	95 °F AMB.	100 °F AMB.	105 °F AMB.	LINE SIZE O.D. (INCHES)		RECEIVER LBS	REFRIGERANT CHARGE LBS		SHIPPING WEIGHT LBS
							SUCTION	LIQUID		SUMMER	WINTER	
RKOS-0060-CZ-H2 ZR72KC	45	86.5	80.0	77.2	72.8	69.9	7/8	1/2	29	8.7	17.0	651
	40	79.0	73.1	70.5	66.5	63.8						
	35	71.8	66.5	64.1	60.5	58.0						
	30	65.1	60.3	58.2	54.9	52.6						
	25	59.7	55.2	53.3	50.3	48.2						
	20	53.9	49.9	48.1	45.4	43.6						
	15	48.5	44.8	43.3	40.8	39.2						
RKOS-0070-CZ-H2 ZR84KC	45	100.6	93.0	89.0	84.7	81.2	1 1/8	5/8	29	11.0	21.0	747
	40	91.4	84.5	80.9	77.0	73.8						
	35	82.7	76.5	73.3	69.7	66.8						
	30	74.6	69.0	66.0	62.8	60.2						
	25	68.0	62.9	60.2	57.3	54.9						
	20	60.8	56.3	53.9	51.2	49.2						
	15	54.1	50.1	47.9	45.6	43.7						
RKOS-0080-CZ-H2 ZR94KC	45	116.3	107.6	100.1	98.0	94.0	1 1/8	5/8	62	13.0	26.0	860
	40	105.8	97.9	91.0	89.1	85.5						
	35	96.0	88.8	82.6	80.9	77.6						
	30	86.4	79.9	74.3	72.8	69.8						
	25	79.1	73.2	68.1	66.6	63.9						
	20	71.1	65.7	61.1	59.8	57.4						
	15	63.4	58.7	54.6	53.4	51.3						
RKOS-0090-CZ-H2 ZR108KC	45	132.1	122.2	115.2	111.3	106.7	1 3/8	5/8	62	13.0	26.0	895
	40	120.8	111.7	105.3	101.7	97.6						
	35	109.9	101.6	95.8	92.5	88.8						
	30	99.8	92.3	87.0	84.0	80.6						
	25	91.4	84.5	79.7	77.0	73.8						
	20	82.4	76.2	71.9	69.4	66.6						
	15	74.0	68.5	64.6	62.3	59.8						
RKOS-0100-CZ-H2 ZR125KC	45	153.7	142.2	138.9	129.4	124.2	1 3/8	5/8	62	16.0	32.0	985
	40	140.6	130.1	127.1	118.4	113.6						
	35	128.0	118.4	115.7	107.8	103.4						
	30	116.0	107.3	104.8	97.7	93.7						
	25	106.6	98.6	96.3	89.8	86.1						
	20	96.2	89.0	87.0	81.1	77.8						
	15	86.4	79.9	78.1	72.8	69.8						
RKOS-0120-CZ-H2 ZR144KC	45	180.0	166.5	162.7	151.6	145.4	1 3/8	5/8	81	18.0	36.0	1000
	40	164.8	152.5	148.9	138.8	133.1						
	35	149.0	137.9	134.7	125.5	120.4						
	30	136.2	126.0	123.1	114.7	110.0						
	25	122.0	112.9	110.3	102.8	98.6						
	20	109.8	101.5	99.2	92.4	88.7						
	15	97.5	90.2	88.1	82.1	78.8						
RKOS-0130-CZ-H2 ZR16M3	45	190.9	176.6	170.4	160.8	154.2	1 5/8	7/8	81	18.0	36.0	1110
	40	174.8	161.7	156.0	147.2	141.2						
	35	157.5	145.7	140.6	132.7	127.3						
	30	143.9	133.1	128.5	121.2	116.3						
	25	129.7	120.0	115.8	109.3	104.8						
	20	116.5	107.7	104.0	98.1	94.1						
	15	103.9	96.1	92.7	87.5	83.9						
RKOS-0150-CZ-H2 ZR19M3	45	237.3	219.6	211.9	199.9	191.7	1 5/8	7/8	81	18.0	36.0	1117
	40	216.7	200.4	193.4	182.5	175.1						
	35	196.6	181.9	175.5	165.6	158.8						
	30	174.4	161.4	155.7	146.9	140.9						
	25	158.1	146.3	141.1	133.2	127.7						
	20	142.8	132.1	127.5	120.3	115.4						
	15	128.7	119.1	114.9	108.4	104.0						

COPELAND SCROLL COMPRESSOR ELECTRICAL INFORMATION

HIGH R-22

Unit model number	Unit compressor	Unit voltage	Compressor			Condenser fan			MCA	MOP
			Qty	RLA	LRA	Qty	HP	FLA		
RKIS-0015-CZ-H2-2	ZR18K3-PFV	208-230/1/60	1	9.3	47	1	1/2	2.9	14.5	25
RKIS-0020-CZ-H2-2	ZR24K3-PFV	208-230/1/60	1	13.6	61	1	1/2	2.9	19.9	35
RKIS-0020-CZ-H2-5	ZR24K3-TF5	200/230/3/60	1	8.6	55	1	1/2	2.9	13.7	25
RKIS-0020-CZ-H2-9	ZR24K3-TFD	460/3/60	1	4.3	27	1	1/2	1.8	7.2	15
RKIS-0025-CZ-H2-2	ZR30K3-PFV	208-230/1/60	1	15	73	1	1/2	2.9	21.7	40
RKIS-0025-CZ-H2-5	ZR30K3-TF5	200/230/3/60	1	10.7	63	1	1/2	2.9	16.3	30
RKIS-0025-CZ-H2-9	ZR30K3-TFD	460/3/60	1	5	31	1	1/2	1.8	8.1	15
RKIS-0030-CZ-H2-2	ZR36K3-PFV	208-230/1/60	1	18.4	95	1	1/2	2.9	25.9	45
RKIS-0030-CZ-H2-5	ZR36K3-TF5	200/230/3/60	1	11.4	77	1	1/2	2.9	17.2	30
RKIS-0030-CZ-H2-9	ZR36K3-TFD	460/3/60	1	5.7	39	1	1/2	1.8	8.9	15
RKIS-0030-CZ-H2-8	ZR36K3-TFE	575/3/60	1	4.71	31	1	1/2	1.2	7.1	15
RKIS-0035-CZ-H2-2	ZR42K3-PFV	208-230/1/60	1	20.4	109	1	1/2	2.9	28.4	50
RKIS-0035-CZ-H2-5	ZR42K3-TF5	200/230/3/60	1	13.9	88	1	1/2	2.9	20.3	35
RKIS-0035-CZ-H2-9	ZR42K3-TFD	460/3/60	1	7.14	44	1	1/2	1.8	10.7	20
RKIS-0035-CZ-H2-8	ZR42K3-TFE	575/3/60	1	5.35	34	1	1/2	1.2	7.9	15
RKIS-0040-CZ-H2-2	ZR48K3-PFV	208-230/1/60	1	22.1	137	1	1/2	2.9	30.5	60
RKIS-0040-CZ-H2-5	ZR48K3-TF5	200/230/3/60	1	16.4	91	1	1/2	2.9	23.4	40
RKIS-0040-CZ-H2-9	ZR48K3-TFD	460/3/60	1	7.85	50	1	1/2	1.8	11.6	20
RKIS-0040-CZ-H2-8	ZR48K3-TFE	575/3/60	1	5.7	37	1	1/2	1.2	8.3	15
RKIS-0050-CZ-H2-2	ZR61K3-PFV	208-230/1/60	1	32.1	148	1	1/2	2.9	43.0	80
RKIS-0050-CZ-H2-5	ZR61K3-TF5	200/230/3/60	1	19.3	137	1	1/2	2.9	27.0	50
RKIS-0050-CZ-H2-9	ZR61K3-TFD	460/3/60	1	9.1	62	1	1/2	1.8	13.2	25
RKIS-0050-CZ-H2-8	ZR61K3-TFE	575/3/60	1	7.85	50	1	1/2	1.2	11.0	20
RKIS-0060-CZ-H2-5	ZR72K3-TF5	200/230/3/60	1	20.7	156	1	1/2	2.9	28.8	50
RKIS-0060-CZ-H2-9	ZR72K3-TFD	460/3/60	1	10	75	1	1/2	1.8	14.3	25
RKIS-0060-CZ-H2-8	ZR72K3-TFE	575/3/60	1	8.2	54	1	1/2	1.2	11.5	20
RKIS-0070-CZ-H2-5	ZR84K3-TF5	200/230/3/60	1	28.6	196	1	1/2	2.9	38.7	70
RKIS-0070-CZ-H2-9	ZR84K3-TFD	460/3/60	1	14.2	100	1	1/2	1.8	19.6	35
RKIS-0070-CZ-H2-8	ZR84K3-TFE	575/3/60	1	9.7	90	1	1/2	1.2	13.3	25
RKIS-0080-CZ-H2-5	ZR94K3-TF5	200/230/3/60	1	32.1	195	2	1/2	2.9	45.9	80
RKIS-0080-CZ-H2-9	ZR94K3-TFD	460/3/60	1	16.4	95	2	1/2	1.8	24.1	45
RKIS-0080-CZ-H2-8	ZR94K3-TFE	575/3/60	1	12	80	2	1/2	1.2	17.4	30
RKIS-0090-CZ-H2-5	ZR108K3-TF5	200/230/3/60	1	33.6	225	2	1/2	2.9	47.8	90
RKIS-0090-CZ-H2-9	ZR108K3-TFD	460/3/60	1	17.3	114	2	1/2	1.8	25.2	45
RKIS-0090-CZ-H2-8	ZR108K3-TFE	575/3/60	1	13.5	80	2	1/2	1.2	19.3	35
RKIS-0100-CZ-H2-5	ZR125K3-TF5	200/230/3/60	1	42	239	2	1/2	2.9	58.3	125
RKIS-0100-CZ-H2-9	ZR125K3-TFD	460/3/60	1	19.2	125	2	1/2	1.8	27.6	50
RKIS-0100-CZ-H2-8	ZR125K3-TFE	575/3/60	1	13.8	80	2	1/2	1.2	19.7	35
RKIS-0120-CZ-H2-5	ZR144K3-TF5	200/230/3/60	1	47.1	245	2	1/2	2.9	64.7	125
RKIS-0120-CZ-H2-9	ZR144K3-TFD	460/3/60	1	19.6	125	2	1/2	1.8	28.1	50
RKIS-0120-CZ-H2-8	ZR144K3-TFE	575/3/60	1	15.8	100	2	1/2	1.2	22.2	40
RKIS-0130-CZ-H2-5	ZR16M3-TWC	208-230/3/60	1	47.1	350	3	1/2	2.9	67.6	125
RKIS-0130-CZ-H2-9	ZR16M3-TWD	460/3/60	1	25	158	3	1/2	1.8	36.7	70
RKIS-0130-CZ-H2-8	ZR16M3-TWE	575/3/60	1	19.9	125	3	1/2	1.2	28.5	50
RKIS-0150-CZ-H2-5	ZR19M3-TWC	208-230/3/60	1	55.2	425	3	1/2	2.9	77.7	150
RKIS-0150-CZ-H2-9	ZR19M3-TWD	460/3/60	1	27.2	187	3	1/2	1.8	39.4	70
RKIS-0150-CZ-H2-8	ZR19M3-TWE	575/3/60	1	24.3	148	3	1/2	1.2	34.0	60

R22 COPELAND SCROLL COMPRESSORS

MEDIUM TEMPERATURE												
MODEL	SATURATED SUCTION TEMP °F	80 °F AMB.	90 °F AMB.	95 °F AMB.	100 °F AMB.	105 °F AMB.	LINE SIZE O.D. (INCHES)		RECEIVER LBS	REFRIGERANT CHARGE LBS		SHIPPING WEIGHT LBS
							SUCTION	LIQUID		SUMMER	WINTER	
RKOS-0015-CZ-M2 ZB15KC	45	28.7	26.6	25.8	24.2	23.2	5/8	3/8	17	2.6	4.6	309
	40	26.2	24.3	23.6	22.1	21.2						
	35	23.7	21.9	21.3	20.0	19.2						
	30	21.7	20.1	19.5	18.3	17.5						
	25	19.5	18.1	17.6	16.4	15.8						
	20	17.6	16.3	15.8	14.8	14.2						
	15	15.7	14.5	14.1	13.2	12.7						
RKOS-0020-CZ-M2 ZB19KC	45	36.3	33.6	32.5	30.6	29.3	5/8	3/8	17	3.9	6.8	382
	40	33.1	30.7	29.6	27.9	26.8						
	35	30.1	27.8	26.9	25.3	24.3						
	30	27.5	25.4	24.6	23.1	22.2						
	25	24.6	22.8	22.0	20.7	19.9						
	20	22.2	20.6	19.9	18.7	18.0						
	15	19.7	18.3	17.7	16.6	16.0						
RKOS-0025-CZ-M2 ZB21KC	45	40.1	37.1	35.8	33.7	32.4	7/8	3/8	17	3.9	6.8	405
	40	36.7	33.9	32.8	30.9	29.6						
	35	33.4	30.9	29.8	28.1	27.0						
	30	30.2	27.9	27.0	25.4	24.4						
	25	27.4	25.3	24.5	23.0	22.1						
	20	24.9	23.0	22.2	20.9	20.1						
	15	22.1	20.5	19.8	18.6	17.9						
RKOS-0030-CZ-M2 ZB26KC	45	49.7	46.0	43.2	41.9	40.2	7/8	1/2	17	4.8	9.1	429
	40	45.4	42.0	39.4	38.2	36.7						
	35	41.3	38.2	35.9	34.8	33.4						
	30	37.1	34.3	32.2	31.3	30.0						
	25	33.7	31.2	29.3	28.4	27.2						
	20	30.2	27.9	26.2	25.4	24.4						
	15	26.9	24.9	23.3	22.7	21.7						
RKOS-0040-CZ-M2 ZB30KC	45	58.8	54.4	50.8	49.5	47.5	7/8	1/2	29	7.4	14.0	462
	40	53.7	49.7	46.4	45.2	43.4						
	35	48.7	45.0	42.1	41.0	39.3						
	30	43.8	40.5	37.8	36.9	35.4						
	25	39.8	36.9	34.4	33.6	32.2						
	20	35.8	33.1	30.9	30.1	28.9						
	15	31.8	29.4	27.5	26.8	25.7						
RKOS-0050-CZ-M2 ZB38KC	45	71.4	66.0	64.2	60.1	57.7	7/8	1/2	29	7.4	14.0	484
	40	65.4	60.5	58.8	55.1	52.8						
	35	59.5	55.0	53.5	50.1	48.1						
	30	53.6	49.6	48.2	45.1	43.3						
	25	48.8	45.2	43.9	41.1	39.4						
	20	43.8	40.5	39.4	36.9	35.4						
	15	39.2	36.2	35.2	33.0	31.6						
RKOS-0060-CZ-M2 ZB45KC	45	83.0	76.8	74.1	69.9	67.0	1 1/8	5/8	29	8.7	17.0	553
	40	76.2	70.5	68.0	64.1	61.5						
	35	69.6	64.4	62.1	58.6	56.2						
	30	63.4	58.7	56.6	53.4	51.3						
	25	57.7	53.3	51.5	48.6	46.6						
	20	52.1	48.2	46.5	43.9	42.1						
	15	46.9	43.4	41.8	39.5	37.9						

MEDIUM TEMPERATURE

MODEL	SATURATED SUCTION TEMP °F	80 °F AMB.	90 °F AMB.	95 °F AMB.	100 °F AMB.	105 °F AMB.	LINE SIZE O.D. (INCHES)		RECEIVER LBS	REFRIGERANT CHARGE LBS		SHIPPING WEIGHT LBS
							SUCTION	LIQUID		SUMMER	WINTER	
RKOS-0070-CZ-M2 ZB50KC	45	97.0	89.8	85.9	81.7	78.4	1 1/8	5/8	29	11.0	21.0	747
	40	88.8	82.1	78.6	74.8	71.7						
	35	80.9	74.9	71.7	68.2	65.4						
	30	73.7	68.1	65.2	62.0	59.5						
	25	66.6	61.6	59.0	56.1	53.8						
	20	60.0	55.5	53.2	50.6	48.5						
RKOS-0075-CZ-M2 ZB58KC	45	111.8	103.4	98.5	94.2	90.3	1 1/8	5/8	62	13.0	26.0	875
	40	102.3	94.6	90.1	86.1	82.6						
	35	92.7	85.8	81.7	78.1	74.9						
	30	85.2	78.9	75.1	71.8	68.9						
	25	77.4	71.6	68.2	65.2	62.5						
	20	70.0	64.8	61.7	59.0	56.6						
RKOS-0080-CZ-M2 ZB66KC	45	127.3	117.8	109.6	107.3	102.9	1 3/8	5/8	62	13.0	26.0	880
	40	116.9	108.2	100.6	98.5	94.5						
	35	106.5	98.5	91.6	89.7	86.0						
	30	98.0	90.6	84.3	82.5	79.1						
	25	88.6	82.0	76.3	74.7	71.6						
	20	80.7	74.7	69.4	68.0	65.2						
RKOS-0090-CZ-M2 ZB76KC	45	145.6	134.7	127.0	122.7	117.7	1 3/8	5/8	62	13.0	26.0	895
	40	133.1	123.2	116.1	112.1	107.6						
	35	121.8	112.7	106.2	102.6	98.4						
	30	99.8	92.3	87.0	84.0	80.6						
	25	102.3	94.6	89.2	86.1	82.6						
	20	92.8	85.9	81.0	78.2	75.0						
RKOS-0100-CZ-M2 ZB88KC	45	165.5	153.1	149.5	139.4	133.7	1 3/8	5/8	62	18.0	41.0	995
	40	152.3	140.9	137.6	128.3	123.1						
	35	139.0	128.6	125.6	117.1	112.3						
	30	127.3	117.8	115.1	107.3	102.9						
	25	115.4	106.8	104.3	97.2	93.3						
	20	104.3	96.5	94.3	87.9	84.3						
RKOS-0120-CZ-M2 ZB92KC	45	189.3	175.1	166.8	159.5	153.0	1 5/8	7/8	79	21.0	45.0	1000
	40	172.6	159.7	152.1	145.4	139.5						
	35	157.0	145.2	138.3	132.2	126.8						
	30	142.4	131.8	125.5	120.0	115.1						
	25	131.5	121.7	115.9	110.8	106.3						
	20	119.6	110.7	105.4	100.8	96.7						
RKOS-0150-CZ-M2 ZB11MA	45	223.5	206.7	199.5	188.2	180.6	1 5/8	7/8	81	22.0	47.0	1117
	40	203.8	188.6	182.0	171.7	164.7						
	35	185.2	171.4	165.3	156.0	149.7						
	30	167.2	154.7	149.2	140.8	135.1						
	25	153.8	142.3	137.3	129.5	124.3						
	20	N/A	N/A	N/A	N/A	N/A						
15	N/A	N/A	N/A	N/A	N/A							

COPELAND SCROLL COMPRESSOR ELECTRICAL INFORMATION

MEDIUM R-22

Unit model number	Unit compressor	Unit voltage	Compressor			Condenser fan			MCA	MOP
			Qty	RLA	LRA	Qty	HP	FLA		
RKIS-0015-CZ-M2-2	ZB15KC-PFV	208-230/1/60	1	13.6	61	1	1/2	2.9	19.9	35
RKIS-0015-CZ-M2-5	ZB15KC-TF5	200/230/3/60	1	8.6	55	1	1/2	2.9	13.7	25
RKIS-0015-CZ-M2-9	ZB15KC-TFD	460/3/60	1	4.3	27	1	1/2	1.8	7.2	15
RKIS-0020-CZ-M2-2	ZB19KC-PFV	208-230/1/60	1	15.7	73	1	1/2	2.9	22.5	40
RKIS-0020-CZ-M2-5	ZB19KC-TF5	200/230/3/60	1	8.2	63	1	1/2	2.9	13.2	25
RKIS-0020-CZ-M2-9	ZB19KC-TFD	460/3/60	1	4.3	31	1	1/2	1.8	7.2	15
RKIS-0025-CZ-M2-2	ZB21KC-PFV	208-230/1/60	1	17.9	100	1	1/2	2.9	25.3	45
RKIS-0025-CZ-M2-5	ZB21KC-TF5	200/230/3/60	1	11.4	77	1	1/2	2.9	17.2	30
RKIS-0025-CZ-M2-9	ZB21KC-TFD	460/3/60	1	5.7	39	1	1/2	1.8	8.9	15
RKIS-0025-CZ-M2-8	ZB21KC-TFE	575/3/60	1			1	1/2	1.2	1.2	15
RKIS-0030-CZ-M2-2	ZB26KC-PFV	208-230/1/60	1	20.7	127	1	1/2	2.9	28.8	50
RKIS-0030-CZ-M2-5	ZB26KC-TF5	200/230/3/60	1	13.9	88	1	1/2	2.9	20.3	35
RKIS-0030-CZ-M2-9	ZB26KC-TFD	460/3/60	1	7.1	44	1	1/2	1.8	10.7	20
RKIS-0030-CZ-M2-8	ZB26KC-TFE	575/3/60	1			1	1/2	1.2	1.2	15
RKIS-0040-CZ-M2-2	ZB30KC-PFV	208-230/1/60	1	25	132	1	1/2	2.9	34.2	60
RKIS-0040-CZ-M2-5	ZB30KC-TF5	200/230/3/60	1	15	115	1	1/2	2.9	21.7	40
RKIS-0040-CZ-M2-9	ZB30KC-TFD	460/3/60	1	7.4	47.5	1	1/2	1.8	11.1	20
RKIS-0040-CZ-M2-8	ZB30KC-TFE	575/3/60	1			1	1/2	1.2	1.2	15
RKIS-0050-CZ-M2-2	ZB38KC-PFV	208-230/1/60	1	30.1	175	1	1/2	2.9	40.5	80
RKIS-0050-CZ-M2-5	ZB38KC-TF5	200/230/3/60	1	20.7	115	1	1/2	2.9	28.8	50
RKIS-0050-CZ-M2-9	ZB38KC-TFD	460/3/60	1	8.9	63	1	1/2	1.8	12.9	25
RKIS-0050-CZ-M2-8	ZB38KC-TFE	575/3/60	1			1	1/2	1.2	1.2	15
RKIS-0060-CZ-M2-5	ZB45KC-TF5	200/230/3/60	1	20.7	156	1	1/2	2.9	28.8	50
RKIS-0060-CZ-M2-9	ZB45KC-TFD	460/3/60	1	11.5	70	1	1/2	1.8	16.2	30
RKIS-0060-CZ-M2-8	ZB45KC-TFE	575/3/60	1			1	1/2	1.2	1.2	15
RKIS-0070-CZ-M2-5	ZB50KC-TF5	200/230/3/60	1	28.6	196	1	1/2	2.9	38.7	70
RKIS-0070-CZ-M2-9	ZB50KC-TFD	460/3/60	1	14.2	100	1	1/2	1.8	19.6	35
RKIS-0070-CZ-M2-8	ZB50KC-TFE	575/3/60	1	9.7	90	1	1/2	1.2	13.3	25
RKIS-0075-CZ-M2-5	ZB58KC-TF5	200/230/3/60	1	32.1	195	2	1/2	2.9	45.9	80
RKIS-0075-CZ-M2-9	ZB58KC-TFD	460/3/60	1	16.4	95	2	1/2	1.8	24.1	45
RKIS-0075-CZ-M2-8	ZB58KC-TFE	575/3/60	1	12	80	2	1/2	1.2	17.4	30
RKIS-0080-CZ-M2-5	ZB66KC-TF5	200/230/3/60	1	33.6	225	2	1/2	2.9	47.8	90
RKIS-0080-CZ-M2-9	ZB66KC-TFD	460/3/60	1	17.3	114	2	1/2	1.8	25.2	45
RKIS-0080-CZ-M2-8	ZB66KC-TFE	575/3/60	1	13.5	80	2	1/2	1.2	19.3	35
RKIS-0090-CZ-M2-5	ZB76KC-TF5	200/230/3/60	1	42	239	2	1/2	2.9	58.3	125
RKIS-0090-CZ-M2-9	ZB76KC-TFD	460/3/60	1	19.2	125	2	1/2	1.8	27.6	50
RKIS-0090-CZ-M2-8	ZB76KC-TFE	575/3/60	1	13.8	80	2	1/2	1.2	19.7	35
RKIS-0100-CZ-M2-5	ZB88KC-TF5	200/230/3/60	1	47	245	2	1/2	2.9	64.6	125
RKIS-0100-CZ-M2-9	ZB88KC-TFD	460/3/60	1	22.1	125	2	1/2	1.8	31.2	60
RKIS-0100-CZ-M2-8	ZB88KC-TFE	575/3/60	1	15.8	100	2	1/2	1.2	22.2	40
RKIS-0120-CZ-M2-5	ZB92KC-TWC	208-230/3/60	1	47.1	350	2	1/2	2.9	64.7	125
RKIS-0120-CZ-M2-9	ZB92KC-TWD	460/3/60	1	25	158	2	1/2	1.8	34.9	60
RKIS-0120-CZ-M2-8	ZB92KC-TWE	575/3/60	1	19.9	125	2	1/2	1.2	27.3	50
RKIS-0150-CZ-M2-5	ZB11MA-TWC	208-230/3/60	1	55.2	425	3	1/2	2.9	77.7	150
RKIS-0150-CZ-M2-9	ZB11MA-TWD	460/3/60	1	27.2	187	3	1/2	1.8	39.4	70
RKIS-0150-CZ-M2-8	ZB11MA-TWE	575/3/60	1	24.3	148	3	1/2	1.2	34.0	60

R404A COPELAND SCROLL COMPRESSORS

MEDIUM TEMPERATURE												
MODEL	SATURATED SUCTION TEMP °F	80 °F AMB.	90 °F AMB.	95 °F AMB.	100 °F AMB.	105 °F AMB.	LINE SIZE O.D. (INCHES)		RECEIVER LBS	REFRIGERANT CHARGE LBS		SHIPPING WEIGHT LBS
							SUCTION	LIQUID		SUMMER	WINTER	
RKOS-0015-CZ-M4 ZB15KCE	35	23.4	21.6	21.0	19.7	18.9	5/8	3/8	15	2.2	4.2	309
	30	21.5	19.8	19.3	18.1	17.3						
	25	19.6	18.2	17.7	16.5	15.9						
	20	17.9	16.6	16.1	15.1	14.5						
	15	16.3	15.1	14.7	13.8	13.2						
	10	14.9	13.8	13.4	12.5	12.0						
	5	13.4	12.4	12.0	11.3	10.8						
	0	11.9	11.0	10.7	10.0	9.6						
	-5	10.6	9.8	9.5	8.9	8.5						
-10	9.2	8.5	8.3	7.7	7.4							
RKOS-0020-CZ-M4 ZB19KCE	35	30.4	28.1	27.2	25.6	24.6	5/8	3/8	15	3.9	6.8	382
	30	28.0	25.9	25.1	23.6	22.6						
	25	25.7	23.7	22.9	21.6	20.7						
	20	23.4	21.6	20.9	19.7	18.9						
	15	21.3	19.7	19.1	18.0	17.2						
	10	19.4	18.0	17.4	16.3	15.7						
	5	17.6	16.3	15.7	14.8	14.2						
	0	15.9	14.7	14.2	13.4	12.8						
	-5	14.3	13.2	12.8	12.0	11.6						
-10	12.7	11.8	11.4	10.7	10.3							
RKOS-0025-CZ-M4 ZB21KCE	35	35.5	32.9	31.8	29.9	28.7	7/8	3/8	15	3.9	6.8	405
	30	32.7	30.2	29.2	27.5	26.4						
	25	30.0	27.7	26.8	25.2	24.2						
	20	27.5	25.4	24.6	23.1	22.2						
	15	25.1	23.2	22.4	21.1	20.3						
	10	22.8	21.1	20.4	19.2	18.4						
	5	20.7	19.1	18.5	17.4	16.7						
	0	18.7	17.3	16.8	15.8	15.1						
	-5	16.9	15.6	15.1	14.2	13.6						
-10	15.0	13.9	13.4	12.6	12.1							
RKOS-0030-CZ-M4 ZB26K4E	35	41.8	38.6	36.3	35.2	33.7	7/8	1/2	15	4.3	8.1	429
	30	38.4	35.5	33.3	32.3	31.0						
	25	35.3	32.7	30.6	29.7	28.5						
	20	32.2	29.8	28.0	27.2	26.0						
	15	29.6	27.4	25.7	25.0	23.9						
	10	26.9	24.9	23.3	22.7	21.7						
	5	24.4	22.6	21.2	20.6	19.7						
	0	22.0	20.4	19.1	18.5	17.8						
	-5	19.8	18.3	17.2	16.7	16.0						
-10	17.6	16.3	15.3	14.8	14.2							

MEDIUM TEMPERATURE

MODEL	SATURATED SUCTION TEMP °F	80 °F AMB.	90 °F AMB.	95 °F AMB.	100 °F AMB.	105 °F AMB.	LINE SIZE O.D. (INCHES)		RECEIVER LBS	REFRIGERANT CHARGE LBS		SHIPPING WEIGHT LBS
							SUCTION	LIQUID		SUMMER	WINTER	
RKOS-0040-CZ-M4 ZB30KCE	35	48.6	44.9	42.0	40.9	39.2	7/8	1/2	29	7.4	14.0	484
	30	44.7	41.4	38.6	37.7	36.1						
	25	41.0	37.9	35.4	34.5	33.1						
	20	37.5	34.7	32.4	31.5	30.3						
	15	34.4	31.8	29.7	29.0	27.8						
	10	31.2	28.9	27.0	26.3	25.2						
	5	28.3	26.1	24.4	23.8	22.8						
	0	25.5	23.6	22.1	21.5	20.6						
	-5	22.9	21.2	19.8	19.3	18.5						
-10	20.3	18.8	17.5	17.1	16.4							
RKOS-0050-CZ-M4 ZB38KCE	35	60.0	55.5	54.0	50.6	48.5	7/8	1/2	29	7.4	14.0	553
	30	55.3	51.1	49.7	46.6	44.7						
	25	50.7	46.9	45.6	42.7	41.0						
	20	46.2	42.7	41.5	38.9	37.3						
	15	42.4	39.3	38.2	35.8	34.3						
	10	38.6	35.7	34.7	32.5	31.2						
	5	35.0	32.3	31.4	29.4	28.2						
	0	31.6	29.2	28.4	26.6	25.5						
	-5	28.4	26.3	25.6	23.9	23.0						
-10	25.3	23.4	22.8	21.3	20.4							
RKOS-0060-CZ-M4 ZB45KCE	35	69.1	63.9	61.7	58.2	55.8	1 1/8	5/8	29	7.4	14.0	576
	30	63.7	58.9	56.8	53.6	51.4						
	25	58.6	54.2	52.3	49.3	47.3						
	20	53.5	49.5	47.7	45.0	43.2						
	15	49.0	45.4	43.8	41.3	39.6						
	10	44.7	41.4	39.9	37.7	36.1						
	5	40.5	37.5	36.2	34.1	32.7						
	0	36.7	33.9	32.7	30.9	29.6						
	-5	33.1	30.6	29.5	27.9	26.7						
-10	29.5	27.3	26.3	24.9	23.8							
RKOS-0070-CZ-M4 ZB50KCE	35	79.2	73.3	70.2	66.7	64.0	1 1/8	5/8	25	7.7	15.0	747
	30	72.9	67.4	64.5	61.4	58.9						
	25	66.9	61.8	59.2	56.3	54.0						
	20	60.6	56.1	53.7	51.1	49.0						
	15	55.6	51.5	49.2	46.8	44.9						
	10	50.3	46.5	44.5	42.4	40.6						
	5	45.3	41.9	40.1	38.1	36.6						
	0	40.5	37.5	35.9	34.1	32.7						
	-5	35.9	33.2	31.8	30.3	29.0						
-10	31.3	29.0	27.7	26.4	25.3							
RKOS-0075-CZ-M4 ZB58KCE	35	91.1	84.3	80.7	76.8	73.6	1 1/8	5/8	51	11.0	24.0	875
	30	83.8	77.5	74.2	70.6	67.7						
	25	76.7	71.0	67.9	64.6	62.0						
	20	69.9	64.7	61.9	58.9	56.5						
	15	63.6	58.8	56.3	53.5	51.4						
	10	57.4	53.1	50.9	48.4	46.4						
	5	51.5	47.7	45.6	43.4	41.6						
	0	45.9	42.4	40.6	38.6	37.0						
	-5	40.6	37.5	35.9	34.2	32.8						
-10	35.3	32.7	31.3	29.7	28.5							

MEDIUM TEMPERATURE

MODEL	SATURATED SUCTION TEMP °F	80 °F AMB.	90 °F AMB.	95 °F AMB.	100 °F AMB.	105 °F AMB.	LINE SIZE O.D. (INCHES)		RECEIVER LBS	REFRIGERANT CHARGE LBS		SHIPPING WEIGHT LBS
							SUCTION	LIQUID		SUMMER	WINTER	
RKOS-0080-CZ-M4 ZB66KCE	35	104.5	96.7	89.9	88.0	84.5	1 3/8	5/8	51	11.0	24.0	890
	30	96.2	89.0	82.8	81.1	77.8						
	25	88.5	81.9	76.2	74.6	71.5						
	20	81.0	75.0	69.7	68.3	65.5						
	15	74.5	68.9	64.1	62.7	60.2						
	10	67.9	62.8	58.4	57.2	54.8						
	5	61.5	56.9	52.9	51.8	49.7						
	0	55.5	51.3	47.8	46.7	44.8						
	-5	49.8	46.0	42.8	41.9	40.2						
-10	44.0	40.7	37.9	37.1	35.6							
RKOS-0090-CZ-M4 ZB76KCE	35	117.1	108.4	102.2	98.7	94.6	1 3/8	5/8	51	11.0	24.0	895
	30	108.3	100.2	94.5	91.2	87.5						
	25	99.8	92.3	87.0	84.0	80.6						
	20	91.7	84.8	80.0	77.2	74.1						
	15	84.6	78.2	73.8	71.2	68.3						
	10	77.3	71.5	67.4	65.1	62.4						
	5	70.4	65.1	61.4	59.3	56.9						
	0	63.9	59.1	55.7	53.8	51.6						
	-5	57.6	53.3	50.2	48.5	46.5						
-10	51.3	47.5	44.8	43.2	41.4							
RKOS-0120-CZ-M4 ZB92KCE	35	151.3	140.0	136.7	127.4	122.2	1 5/8	7/8	55	12.0	33.0	1000
	30	139.5	129.0	126.1	117.5	112.7						
	25	128.3	118.7	115.9	108.0	103.6						
	20	117.5	108.7	106.2	98.9	94.9						
	15	108.2	100.1	97.7	91.1	87.4						
	10	98.5	91.1	89.0	83.0	79.6						
	5	89.6	82.8	80.9	75.4	72.4						
	0	81.2	75.1	73.3	68.4	65.6						
	-5	73.2	67.7	66.1	61.6	59.1						
-10	65.1	60.3	58.9	54.9	52.6							
RKOS-0150-CZ-M4 ZS11MCE	35	167.6	155.1	149.6	141.2	135.4	1 5/8	7/8	68	12.0	33.0	1117
	30	155.0	143.4	138.4	130.6	125.3						
	25	143.0	132.3	127.7	120.5	115.5						
	20	131.5	121.7	117.4	110.8	106.3						
	15	122.4	113.2	109.2	103.1	98.9						
	10	112.0	103.6	100.0	94.4	90.5						
	5	102.3	94.6	91.3	86.1	82.6						
	0	93.2	86.2	83.2	78.5	75.3						
	-5	84.3	78.0	75.3	71.0	68.1						
-10	75.5	69.8	67.4	63.6	61.0							

COPELAND SCROLL COMPRESSOR ELECTRICAL INFORMATION

MEDIUM R-404A

Unit model number	Unit compressor	Unit voltage	Compressor			Condenser fan			MCA	MOP
			Qty	RLA	LRA	Qty	HP	FLA		
RKIS-0015-CZ-M4-2	ZB15KCE-PFV	208-230/1/60	1	15.7	61	1	1/2	2.9	22.5	40
RKIS-0015-CZ-M4-5	ZB15KCE-TF5	200/230/3/60	1	8.9	55	1	1/2	2.9	14.0	25
RKIS-0015-CZ-M4-9	ZB15KCE-TFD	460/3/60	1	5	27	1	1/2	1.8	8.1	15
RKIS-0020-CZ-M4-2	ZB19KCE-PFV	208-230/1/60	1	17.9	73	1	1/2	2.9	25.3	45
RKIS-0020-CZ-M4-5	ZB19KCE-TF5	200/230/3/60	1	10	63	1	1/2	2.9	15.4	30
RKIS-0020-CZ-M4-9	ZB19KCE-TFD	460/3/60	1	5	31	1	1/2	1.8	8.1	15
RKIS-0025-CZ-M4-2	ZB21KCE-PFV	208-230/1/60	1	20.7	100	1	1/2	2.9	28.8	50
RKIS-0025-CZ-M4-5	ZB21KCE-TF5	200/230/3/60	1	12.1	77	1	1/2	2.9	18.0	35
RKIS-0025-CZ-M4-9	ZB21KCE-TFD	460/3/60	1	6.1	39	1	1/2	1.8	9.4	20
RKIS-0025-CZ-M4-8	ZS21K4E-TFE	575/3/60	1	4.3	31	1	1/2	1.2	6.6	15
RKIS-0030-CZ-M4-2	ZB26KCE-PFV	208-230/1/60	1	23.6	127	1	1/2	2.9	32.4	60
RKIS-0030-CZ-M4-5	ZB26KCE-TF5	200/230/3/60	1	13.9	88	1	1/2	2.9	20.3	35
RKIS-0030-CZ-M4-9	ZB26KCE-TFD	460/3/60	1	7.1	44	1	1/2	1.8	10.7	20
RKIS-0030-CZ-M4-8	ZS26K4E-TFE	575/3/60	1	5	34	1	1/2	1.2	7.5	15
RKIS-0040-CZ-M4-2	ZB30KCE-PFV	208-230/1/60	1	26.8	132	1	1/2	2.9	36.4	70
RKIS-0040-CZ-M4-5	ZB30KCE-TF5	200/230/3/60	1	15.7	115	1	1/2	2.9	22.5	40
RKIS-0040-CZ-M4-9	ZB30KCE-TFD	460/3/60	1	7.5	47.5	1	1/2	1.8	11.2	20
RKIS-0040-CZ-M4-8	ZS30K4E-TFE	575/3/60	1	8.2	40	1	1/2	1.2	11.5	20
RKIS-0050-CZ-M4-2	ZB38KCE-PFV	208-230/1/60	1	31.1	175	1	1/2	2.9	41.8	80
RKIS-0050-CZ-M4-5	ZB38KCE-TF5	200/230/3/60	1	22.1	115	1	1/2	2.9	30.5	60
RKIS-0050-CZ-M4-9	ZB38KCE-TFD	460/3/60	1	9.6	63	1	1/2	1.8	13.8	25
RKIS-0050-CZ-M4-8	ZS38K4E-TFE	575/3/60	1	7.9	50	1	1/2	1.2	11.1	20
RKIS-0060-CZ-M4-5	ZB45KCE-TF5	200/230/3/60	1	22.5	156	1	1/2	2.9	31.0	60
RKIS-0060-CZ-M4-9	ZB45KCE-TFD	460/3/60	1	10.1	70	1	1/2	1.8	14.4	25
RKIS-0060-CZ-M4-8	ZS45K4E-TFE	575/3/60	1	7.9	54	1	1/2	1.2	11.1	20
RKIS-0070-CZ-M4-5	ZB50KCE-TFC	208-230/3/60	1	28.6	196	1	1/2	2.9	38.7	70
RKIS-0070-CZ-M4-9	ZB50KCE-TFD	460/3/60	1	15	100	1	1/2	1.8	20.6	40
RKIS-0070-CZ-M4-8	ZB50KCE-TFE	575/3/60	1	11.1	90	1	1/2	1.2	15.1	30
RKIS-0075-CZ-M4-5	ZB58KCE-TFC	208-230/3/60	1	32.1	195	2	1/2	2.9	45.9	80
RKIS-0075-CZ-M4-9	ZB58KCE-TFD	460/3/60	1	16.4	95	2	1/2	1.8	24.1	45
RKIS-0075-CZ-M4-8	ZB58KCE-TFE	575/3/60	1	12.9	80	2	1/2	1.2	18.5	35
RKIS-0080-CZ-M4-5	ZB66KCE-TFC	208-230/3/60	1	33.6	225	2	1/2	2.9	47.8	90
RKIS-0080-CZ-M4-9	ZB66KCE-TFD	460/3/60	1	17.5	114	2	1/2	1.8	25.5	45
RKIS-0080-CZ-M4-8	ZB66KCE-TFE	575/3/60	1	13.5	80	2	1/2	1.2	19.3	35
RKIS-0090-CZ-M4-5	ZB76KCE-TFC	208-230/3/60	1	41.4	239	2	1/2	2.9	57.6	100
RKIS-0090-CZ-M4-9	ZB76KCE-TFD	460/3/60	1	19.2	125	2	1/2	1.8	27.6	50
RKIS-0090-CZ-M4-8	ZB76KCE-TFE	575/3/60	1	13.8	80	2	1/2	1.2	19.7	35
RKIS-0120-CZ-M4-5	ZB92KCE-TWC	208-230/3/60	1	52.9	350	2	1/2	2.9	71.9	125
RKIS-0120-CZ-M4-9	ZB92KCE-TWD	460/3/60	1	25	158	2	1/2	1.8	34.9	60
RKIS-0120-CZ-M4-8	ZB92KCE-TWE	575/3/60	1	20	125	2	1/2	1.2	27.4	50
RKIS-0150-CZ-M4-5	ZS11M4E-TWC	208-230/3/60	1	60	425	3	1/2	2.9	83.7	150
RKIS-0150-CZ-M4-9	ZS11M4E-TWD	460/3/60	1	28.2	187	3	1/2	1.8	40.7	70
RKIS-0150-CZ-M4-8	ZS11M4E-TWE	575/3/60	1	22.5	148	3	1/2	1.2	31.7	60

R404A COPELAND SCROLL COMPRESSORS

LOW TEMPERATURE												
MODEL	SATURATED SUCTION TEMP °F	80 °F AMB.	90 °F AMB.	95 °F AMB.	100 °F AMB.	105 °F AMB.	LINE SIZE O.D. (INCHES)		RECEIVER LBS	REFRIGERANT CHARGE LBS		SHIPPING WEIGHT LBS
							SUCTION	LIQUID		SUMMER	WINTER	
RKOS-0015-CZ-L4 ZF06K4E	0	12.6	11.7	11.3	10.6	10.2	5/8	3/8	15	2.2	4.2	309
	-5	11.6	10.7	10.4	9.8	9.4						
	-10	10.3	9.6	9.3	8.7	8.3						
	-15	9.4	8.7	8.5	7.9	7.6						
	-20	8.5	7.9	7.7	7.2	6.9						
	-25	7.6	7.0	6.8	6.4	6.1						
	-30	6.7	6.2	6.0	5.6	5.4						
	-35	5.9	5.5	5.3	5.0	4.8						
-40	5.1	4.7	4.6	4.3	4.1							
RKOS-0020-CZ-L4 ZF08K4E	0	17.1	15.9	15.3	14.4	13.8	5/8	3/8	15	3.5	6.1	382
	-5	15.5	14.4	13.9	13.1	12.6						
	-10	14.0	12.9	12.5	11.8	11.3						
	-15	12.0	11.1	10.8	10.1	9.7						
	-20	10.8	10.0	9.6	9.1	8.7						
	-25	9.8	9.0	8.7	8.2	7.9						
	-30	8.6	8.0	7.7	7.3	7.0						
	-35	7.6	7.0	6.8	6.4	6.1						
-40	6.6	6.1	5.9	5.5	5.3							
RKOS-0025-CZ-L4 ZF09K4E	0	17.7	16.4	15.8	14.9	14.3	7/8	3/8	15	3.5	6.1	405
	-5	16.1	14.9	14.4	13.6	13.0						
	-10	14.4	13.3	12.9	12.1	11.6						
	-15	13.1	12.1	11.7	11.0	10.5						
	-20	11.7	10.8	10.5	9.8	9.4						
	-25	10.3	9.6	9.2	8.7	8.3						
	-30	9.2	8.5	8.2	7.7	7.4						
	-35	8.1	7.5	7.2	6.8	6.5						
-40	7.0	6.5	6.3	5.9	5.7							
RKOS-0030-CZ-L4 ZF11K4E	0	22.2	20.6	19.3	18.7	18.0	7/8	1/2	15	4.3	8.1	429
	-5	20.1	18.6	17.4	16.9	16.2						
	-10	17.9	16.6	15.6	15.1	14.5						
	-15	16.2	15.0	14.1	13.7	13.1						
	-20	14.5	13.4	12.6	12.2	11.7						
	-25	12.9	12.0	11.2	10.9	10.5						
	-30	11.6	10.7	10.0	9.8	9.4						
	-35	10.2	9.5	8.9	8.6	8.3						
-40	8.9	8.2	7.7	7.5	7.2							
RKOS-0035-CZ-L4 ZF13K4E	0	25.9	23.9	22.5	21.8	20.9	7/8	1/2	25	6.6	12.0	462
	-5	23.4	21.6	20.3	19.7	18.9						
	-10	20.8	19.2	18.0	17.5	16.8						
	-15	18.8	17.4	16.4	15.9	15.2						
	-20	16.8	15.5	14.6	14.1	13.6						
	-25	15.0	13.9	13.0	12.6	12.1						
	-30	13.3	12.3	11.5	11.2	10.7						
	-35	11.7	10.8	10.1	9.8	9.4						
-40	10.2	9.5	8.9	8.6	8.3							

LOW TEMPERATURE

MODEL	SATURATED SUCTION TEMP °F	80 °F AMB.	90 °F AMB.	95 °F AMB.	100 °F AMB.	105 °F AMB.	LINE SIZE O.D. (INCHES)		RECEIVER LBS	REFRIGERANT CHARGE LBS		SHIPPING WEIGHT LBS
							SUCTION	LIQUID		SUMMER	WINTER	
RKOS-0040-CZ-L4 ZF15K4E	0	30.6	28.4	26.5	25.8	24.8	7/8	1/2	25	6.6	12.0	484
	-5	27.8	25.7	24.0	23.4	22.5						
	-10	24.9	23.0	21.5	20.9	20.1						
	-15	22.6	20.9	19.5	19.0	18.2						
	-20	20.2	18.7	17.5	17.0	16.3						
	-25	18.0	16.7	15.6	15.2	14.6						
	-30	16.0	14.8	13.8	13.5	12.9						
	-35	14.2	13.1	12.3	12.0	11.5						
-40	12.3	11.3	10.6	10.3	9.9							
RKOS-0050-CZ-L4 ZF18K4E	0	37.7	34.9	33.9	31.7	30.4	7/8	1/2	25	7.7	15.0	553
	-5	33.9	31.4	30.5	28.6	27.4						
	-10	30.4	28.1	27.3	25.6	24.6						
	-15	27.6	25.5	24.8	23.2	22.3						
	-20	24.6	22.8	22.1	20.7	19.9						
	-25	21.9	20.3	19.7	18.5	17.7						
	-30	19.5	18.1	17.6	16.4	15.8						
	-35	17.1	15.9	15.4	14.4	13.8						
-40	15.0	13.9	13.5	12.6	12.1							
RKOS-0070-CZ-L4 ZF24K4E	0	44.4	41.1	39.3	37.4	35.9	1 3/8	5/8	25	9.3	19.0	747
	-5	40.1	37.1	35.5	33.7	32.4						
	-10	36.2	33.5	32.1	30.5	29.3						
	-15	32.6	30.1	28.8	27.4	26.3						
	-20	29.2	27.0	25.8	24.6	23.6						
	-25	26.0	24.0	23.0	21.9	21.0						
	-30	23.0	21.3	20.4	19.4	18.6						
	-35	20.2	18.7	17.9	17.0	16.3						
-40	17.6	16.3	15.6	14.8	14.2							
RKOS-0090-CZ-L4 ZF33K4E	0	63.3	58.6	55.2	53.3	51.2	1 3/8	5/8	55	12.0	23.0	895
	-5	57.8	53.4	50.4	48.7	46.7						
	-10	51.5	47.7	45.0	43.4	41.6						
	-15	46.8	43.3	40.8	39.4	37.8						
	-20	41.9	38.7	36.5	35.3	33.8						
	-25	37.5	34.7	32.7	31.5	30.3						
	-30	33.3	30.8	29.0	28.0	26.9						
	-35	29.5	27.3	25.7	24.9	23.8						
-40	25.8	23.8	22.5	21.7	20.8							
RKOS-0100-CZ-L4 ZF40K4E	0	78.7	72.8	71.1	66.3	63.5	1 5/8	7/8	55	13.0	29.0	985
	-5	71.5	66.2	64.6	60.2	57.8						
	-10	64.7	59.9	58.5	54.5	52.3						
	-15	59.0	54.6	53.3	49.7	47.7						
	-20	59.0	54.6	53.3	49.7	47.7						
	-25	47.8	44.2	43.2	40.2	38.6						
	-30	42.6	39.4	38.5	35.9	34.4						
	-35	37.5	34.7	33.8	31.5	30.3						
-40	32.6	30.1	29.4	27.4	26.3							
RKOS-0150-CZ-L4 ZF48K4E	0	93.8	86.7	83.7	79.0	75.7	1 5/8	7/8	68	15.0	33.0	1117
	-5	85.0	78.6	75.9	71.6	68.7						
	-10	76.0	70.4	67.9	64.1	61.4						
	-15	69.1	63.9	61.7	58.2	55.8						
	-20	62.0	57.3	55.3	52.2	50.1						
	-25	55.3	51.1	49.3	46.6	44.7						
	-30	49.3	45.6	44.0	41.5	39.8						
	-35	43.7	40.4	39.0	36.8	35.3						
-40	38.0	35.2	33.9	32.0	30.7							

COPELAND SCROLL COMPRESSOR ELECTRICAL INFORMATION

LOW R-404A

Unit model number	Unit compressor	Unit voltage	Compressor			Condenser fan			MCA	MOP
			Qty	RLA	LRA	Qty	HP	FLA		
RKIS-0015-CZ-L4-2	ZF06K4E-PFV	208-230/1/60	1	13.6	61	1	1/2	2.9	19.9	35
RKIS-0015-CZ-L4-5	ZF06K4E-TF5	200/230/3/60	1	9.28	55	1	1/2	2.9	14.5	25
RKIS-0015-CZ-L4-9	ZF06K4E-TFD	460/3/60	1	4.29	27	1	1/2	1.8	7.2	15
RKIS-0020-CZ-L4-2	ZF08K4E-PFV	208-230/1/60	1	16.43	73	1	1/2	2.9	23.4	40
RKIS-0020-CZ-L4-5	ZF08K4E-TF5	200/230/3/60	1	9.65	63	1	1/2	2.9	15.0	25
RKIS-0020-CZ-L4-9	ZF08K4E-TFD	460/3/60	1	5	31	1	1/2	1.8	8.1	15
RKIS-0025-CZ-L4-2	ZF09K4E-PFV	208-230/1/60	1	16.4	88	1	1/2	2.9	23.4	40
RKIS-0025-CZ-L4-5	ZF09K4E-TF5	200/230/3/60	1	11.1	77	1	1/2	2.9	16.8	30
RKIS-0025-CZ-L4-9	ZF09K4E-TFD	460/3/60	1	5.7	39	1	1/2	1.8	8.9	15
RKIS-0025-CZ-L4-8	ZF09K4E-TFE	575/3/60	1	4.3	31	1	1/2	1.2	6.6	15
RKIS-0030-CZ-L4-2	ZF11K4E-PFV	208-230/1/60	1	20.7	109	1	1/2	2.9	28.8	50
RKIS-0030-CZ-L4-5	ZF11K4E-TF5	200/230/3/60	1	13.6	88	1	1/2	2.9	19.9	35
RKIS-0030-CZ-L4-9	ZF11K4E-TFD	460/3/60	1	7.1	44	1	1/2	1.8	10.7	20
RKIS-0030-CZ-L4-8	ZF11K4E-TFE	575/3/60	1	5	34	1	1/2	1.2	7.5	15
RKIS-0035-CZ-L4-2	ZF13K4E-PFV	208-230/1/60	1	26.8	129	1	1/2	2.9	36.4	70
RKIS-0035-CZ-L4-5	ZF13K4E-TF5	200/230/3/60	1	15	99	1	1/2	2.9	21.7	40
RKIS-0035-CZ-L4-9	ZF13K4E-TFD	460/3/60	1	8.2	49.5	1	1/2	1.8	12.1	25
RKIS-0035-CZ-L4-8	ZF13K4E-TFE	575/3/60	1	8.2	40	1	1/2	1.2	11.5	20
RKIS-0040-CZ-L4-2	ZF15K4E-PFV	208-230/1/60	1	31.8	169	1	1/2	2.9	42.7	80
RKIS-0040-CZ-L4-5	ZF15K4E-TF5	200/230/3/60	1	21.4	123	1	1/2	2.9	29.7	60
RKIS-0040-CZ-L4-9	ZF15K4E-TFD	460/3/60	1	9.6	62	1	1/2	1.8	13.8	25
RKIS-0040-CZ-L4-8	ZF15K4E-TFE	575/3/60	1	7.9	50	1	1/2	1.2	11.1	20
RKIS-0050-CZ-L4-5	ZF18K4E-TF5	200/230/3/60	1	23.9	156	1	1/2	2.9	32.8	60
RKIS-0050-CZ-L4-9	ZF18K4E-TFD	460/3/60	1	9.3	70	1	1/2	1.8	13.4	25
RKIS-0050-CZ-L4-8	ZF18K4E-TFE	575/3/60	1	7.9	54	1	1/2	1.2	11.1	20
RKIS-0070-CZ-L4-5	ZF24K4E-TWC	208-230/3/60	1	30	189	1	1/2	2.9	40.4	80
RKIS-0070-CZ-L4-9	ZF24K4E-TWD	460/3/60	1	15.7	94	1	1/2	1.8	21.4	40
RKIS-0070-CZ-L4-8	ZF24K4E-TWE	575/3/60	1	11.4	74	1	1/2	1.2	15.5	30
RKIS-0090-CZ-L4-5	ZF33K4E-TWC	208-230/3/60	1	43.6	278	2	1/2	2.9	60.3	125
RKIS-0090-CZ-L4-9	ZF33K4E-TWD	460/3/60	1	21.1	127	2	1/2	1.8	30.0	60
RKIS-0090-CZ-L4-8	ZF33K4E-TWE	575/3/60	1	16.1	100	2	1/2	1.2	22.5	40
RKIS-0100-CZ-L4-5	ZF40K4E-TWC	208-230/3/60	1	52.9	350	2	1/2	2.9	71.9	125
RKIS-0100-CZ-L4-9	ZF40K4E-TWD	460/3/60	1	25	158	2	1/2	1.8	34.9	60
RKIS-0100-CZ-L4-8	ZF40K4E-TWE	575/3/60	1	20	125	2	1/2	1.2	27.4	50
RKIS-0150-CZ-L4-5	ZF48K4E-TWC	208-230/3/60	1	60	425	3	1/2	2.9	83.7	150
RKIS-0150-CZ-L4-9	ZF48K4E-TWD	460/3/60	1	28.2	187	3	1/2	1.8	40.7	70
RKIS-0150-CZ-L4-8	ZF48K4E-TWE	575/3/60	1	22.5	148	3	1/2	1.2	31.7	60

R22 COPELAND HERMETIC COMPRESSORS

MEDIUM TEMPERATURE												
MODEL	SATURATED SUCTION TEMP °F	80 °F AMB.	90 °F AMB.	95 °F AMB.	100 °F AMB.	105 °F AMB.	LINE SIZE O.D. (INCHES)		RECEIVER LBS	REFRIGERANT CHARGE LBS		SHIPPING WEIGHT LBS
							SUCTION	LIQUID		SUMMER	WINTER	
RKOS-0008-CH-M2 RS47C2	45	12.3	11.3	10.9	10.3	9.9	1/2	3/8	17	1.9	2.9	294
	40	11.1	10.3	9.9	9.4	9.0						
	35	9.9	9.1	8.8	8.3	8.0						
	30	8.9	8.2	7.9	7.5	7.2						
	25	7.8	7.2	7.0	6.6	6.3						
	20	6.9	6.4	6.2	5.8	5.6						
RKOS-0010-CH-M2 RS64C2	45	15.4	14.3	13.5	13.0	12.5	1/2	3/8	17	1.9	2.9	297
	40	13.8	12.8	12.1	11.7	11.2						
	35	12.4	11.4	10.8	10.4	10.0						
	30	11.0	10.2	9.6	9.3	8.9						
	25	9.8	9.0	8.5	8.2	7.9						
	20	8.5	7.9	7.4	7.2	6.9						
RKOS-0012-CH-M2 RS70C1	45	18.0	16.7	15.7	15.2	14.6	1/2	3/8	17	2.6	4.6	304
	40	16.2	15.0	14.2	13.7	13.1						
	35	14.5	13.4	12.7	12.2	11.7						
	30	12.9	12.0	11.3	10.9	10.5						
	25	11.5	10.6	10.0	9.7	9.3						
	20	10.0	9.2	8.7	8.4	8.1						
RKOS-0015-CH-M2 CR18KQ	45	22.9	21.2	20.6	19.3	18.5	5/8	3/8	17	2.6	4.6	309
	40	20.7	19.1	18.6	17.4	16.7						
	35	18.5	17.1	16.6	15.6	14.9						
	30	16.5	15.2	14.8	13.9	13.3						
	25	14.5	13.4	13.1	12.2	11.7						
	20	12.7	11.8	11.4	10.7	10.3						
RKOS-0020-CH-M2 CR24KQ	45	31.4	29.1	28.1	26.5	25.4	5/8	3/8	17	3.9	6.8	382
	40	28.1	26.0	25.2	23.7	22.7						
	35	25.2	23.3	22.5	21.2	20.4						
	30	22.2	20.6	19.9	18.7	18.0						
	25	19.6	18.2	17.6	16.5	15.9						
	20	17.0	15.8	15.2	14.3	13.8						
RKOS-0025-CH-M2 CR33KQ	45	37.7	34.9	33.7	31.7	30.4	7/8	3/8	17	3.9	6.8	405
	40	33.8	31.3	30.3	28.5	27.3						
	35	30.3	28.0	27.1	25.5	24.5						
	30	26.9	24.9	24.1	22.7	21.7						
	25	23.7	21.9	21.2	20.0	19.2						
	20	21.8	20.2	19.5	18.4	17.6						
RKOS-0030-CH-M2 CR37KQ	45	47.2	43.7	41.0	39.8	38.1	7/8	1/2	17	4.8	9.1	429
	40	41.9	38.7	36.4	35.3	33.8						
	35	36.9	34.1	32.0	31.1	29.8						
	30	32.5	30.0	28.2	27.3	26.2						
	25	28.1	26.0	24.4	23.7	22.7						
	20	24.4	22.6	21.2	20.6	19.7						
	15	21.0	19.4	18.2	17.7	17.0						

MEDIUM TEMPERATURE

MODEL	SATURATED SUCTION TEMP °F	80 °F AMB.	90 °F AMB.	95 °F AMB.	100 °F AMB.	105 °F AMB.	LINE SIZE O.D. (INCHES)		RECEIVER LBS	REFRIGERANT CHARGE LBS		SHIPPING WEIGHT LBS
							SUCTION	LIQUID		SUMMER	WINTER	
RKOS-0035-CH-M2 CR47KQ	45	59.9	55.4	52.0	50.5	48.4	7/8	1/2	29	7.4	14.0	462
	40	53.6	49.6	46.5	45.1	43.3						
	35	47.3	43.8	41.1	39.9	38.2						
	30	41.4	38.3	36.0	34.9	33.5						
	25	35.9	33.2	31.1	30.2	29.0						
	20	30.9	28.6	26.8	26.0	24.9						
RKOS-0040-CH-M2 CR53KQ	45	64.6	59.7	55.8	54.4	52.2	7/8	1/2	29	7.4	14.0	484
	40	58.3	54.0	50.4	49.1	47.1						
	35	52.3	48.4	45.2	44.1	42.3						
	30	46.5	43.1	40.2	39.2	37.6						
	25	41.0	37.9	35.4	34.5	33.1						
	20	35.6	33.0	30.8	30.0	28.8						
RKOS-0050-CH-M2 CRN5-0500	45	75.5	69.8	67.9	63.6	61.0	7/8	1/2	29	8.7	17.0	553
	40	68.3	63.2	61.4	57.6	55.2						
	35	61.5	56.9	55.3	51.8	49.7						
	30	54.9	50.8	49.4	46.3	44.4						
	25	49.0	45.4	44.1	41.3	39.6						
	20	43.2	40.0	38.9	36.4	34.9						
	15	37.9	35.1	34.1	31.9	30.6						

R404A COPELAND HERMETIC COMPRESSORS

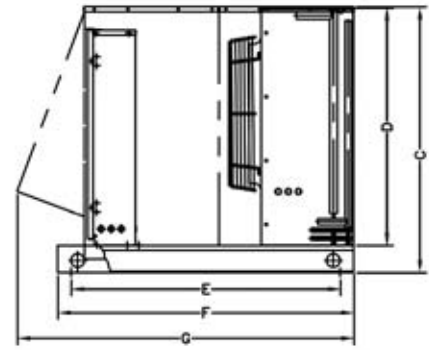
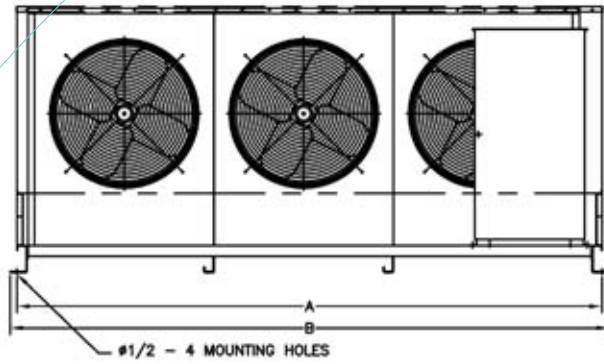
MEDIUM TEMPERATURE												
MODEL	SATURATED SUCTION TEMP °F	80 °F AMB.	90 °F AMB.	95 °F AMB.	100 °F AMB.	105 °F AMB.	LINE SIZE O.D. (INCHES)		RECEIVER LBS	REFRIGERANT CHARGE LBS		SHIPPING WEIGHT LBS
							SUCTION	LIQUID		SUMMER	WINTER	
RKOS-0007-CH-M4 RS43C1E	20	5.9	5.5	5.3	5.0	4.8	1/2	3/8	15	1.7	2.6	288
	15	5.2	4.8	4.6	4.4	4.2						
	10	4.5	4.2	4.0	3.8	3.7						
	5	4.0	3.7	3.5	3.3	3.2						
	0	3.4	3.2	3.0	2.9	2.8						
RKOS-0008-CH-M4 RS55C1E	20	6.9	6.4	6.2	5.8	5.6	1/2	3/8	15	1.7	2.6	292
	15	6.2	5.8	5.6	5.3	5.0						
	10	5.6	5.1	4.9	4.7	4.5						
	5	4.9	4.5	4.3	4.1	3.9						
	0	4.3	4.0	3.8	3.6	3.5						
RKOS-0010-CH-M4 RS70C1E	20	8.9	8.2	7.7	7.5	7.2	1/2	3/8	15	2.3	4.1	301
	15	8.1	7.5	7.0	6.8	6.5						
	10	7.3	6.7	6.3	6.1	5.9						
	5	6.5	6.0	5.6	5.4	5.2						
	0	5.7	5.3	5.0	4.8	4.6						
RKOS-0015-CH-M4 RS97C1E	20	12.4	11.4	11.1	10.4	10.0	5/8	3/8	15	2.3	4.1	310
	15	11.2	10.4	10.1	9.5	9.1						
	10	10.0	9.2	9.0	8.4	8.1						
	5	8.9	8.2	8.0	7.5	7.2						
	0	7.8	7.2	7.0	6.6	6.3						
RKOS-0020-CH-M4 CS12K6E	20	16.7	15.4	14.9	14.1	13.5	5/8	3/8	15	3.5	6.1	382
	15	14.8	13.7	13.2	12.4	11.9						
	10	12.9	12.0	11.6	10.9	10.5						
	5	11.2	10.4	10.1	9.5	9.1						
	0	9.6	8.9	8.6	8.1	7.8						
RKOS-0025-CH-M4 CS14K6E	20	19.0	17.5	17.0	16.0	15.3	7/8	3/8	15	3.5	6.1	405
	15	17.0	15.8	15.2	14.3	13.8						
	10	15.2	14.1	13.6	12.8	12.3						
	5	13.4	12.4	12.0	11.3	10.8						
	0	11.7	10.8	10.5	9.8	9.4						
RKOS-0030-CH-M4 CS18K6E	20	24.4	22.6	21.2	20.6	19.7	7/8	1/2	15	4.3	8.1	429
	15	21.9	20.3	19.0	18.5	17.7						
	10	19.4	18.0	16.8	16.3	15.7						
	5	16.9	15.6	14.7	14.2	13.7						
	0	14.6	13.5	12.7	12.3	11.8						
RKOS-0035-CH-M4 CS20K6E	20	27.5	25.4	23.8	23.1	22.2	7/8	1/2	25	6.6	12.0	462
	15	24.3	22.5	21.1	20.5	19.6						
	10	21.5	19.8	18.6	18.1	17.3						
	5	18.7	17.3	16.3	15.8	15.1						
	0	16.3	15.1	14.2	13.8	13.2						
RKOS-0040-CH-M4 CS27K3E	20	35.1	32.4	30.3	29.5	28.3	7/8	1/2	25	6.6	12.0	484
	15	31.0	28.7	26.8	26.1	25.0						
	10	27.2	25.2	23.5	22.9	22.0						
	5	23.5	21.7	20.3	19.8	19.0						
	0	20.2	18.7	17.5	17.0	16.3						
RKOS-0050-CH-M4 CS33K3E	20	41.3	38.2	37.1	34.8	33.4	7/8	1/2	25	7.7	15.0	553
	15	36.8	34.0	33.1	31.0	29.7						
	10	32.8	30.3	29.5	27.6	26.5						
	5	28.7	26.6	25.8	24.2	23.2						
	0	25.2	23.3	22.7	21.2	20.4						

R404A COPELAND HERMETIC COMPRESSORS

LOW TEMPERATURE												
MODEL	SATURATED SUCTION TEMP °F	80 °F AMB.	90 °F AMB.	95 °F AMB.	100 °F AMB.	105 °F AMB.	LINE SIZE O.D. (INCHES)		RECEIVER LBS	REFRIGERANT CHARGE LBS		SHIPPING WEIGHT LBS
							SUCTION	LIQUID		SUMMER	WINTER	
RKOS-0015-CH-L4 CF04K6E	-5	6.7	6.2	6.0	5.6	5.4	5/8	3/8	15	2.3	4.1	320
	-10	5.7	5.3	5.1	4.8	4.6						
	-15	4.9	4.5	4.4	4.1	3.9						
	-20	4.1	3.8	3.7	3.4	3.3						
	-25	3.3	3.0	3.0	2.8	2.7						
RKOS-0020-CH-L4 CF06K6E	-5	10.9	10.1	9.7	9.2	8.8	5/8	3/8	15	2.3	4.1	405
	-10	9.5	8.8	8.5	8.0	7.7						
	-15	8.2	7.6	7.3	6.9	6.6						
	-20	6.8	6.3	6.1	5.7	5.5						
	-25	5.6	5.1	5.0	4.7	4.5						
RKOS-0025-CH-L4 CF09K6E	-5	16.1	14.9	14.4	13.6	13.0	7/8	1/2	15	3.5	6.1	420
	-10	14.0	12.9	12.5	11.8	11.3						
	-15	11.9	11.0	10.7	10.0	9.6						
	-20	10.1	9.3	9.0	8.5	8.2						
	-25	8.3	7.7	7.4	7.0	6.7						
RKOS-0030-CH-L4 CF12K6E	-5	19.3	17.9	16.7	16.3	15.6	7/8	1/2	15	3.5	6.1	440
	-10	17.0	15.8	14.8	14.3	13.8						
	-15	14.9	13.8	12.9	12.5	12.0						
	-20	12.9	12.0	11.2	10.9	10.5						
	-25	11.0	10.2	9.6	9.3	8.9						

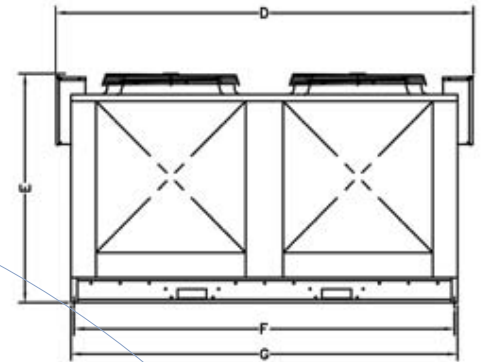
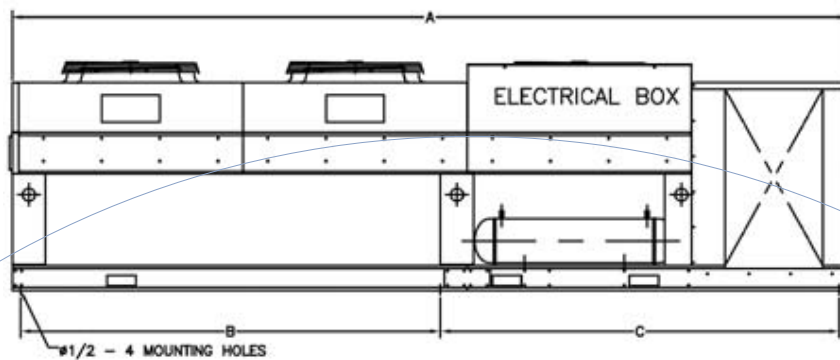
COPELAND HERMETIC COMPRESSOR ELECTRICAL INFORMATION

Unit model number	Unit compressor	Unit voltage	Compressor			Condenser fan			MCA	MOP
			Qty	RLA	LRA	Qty	HP	FLA		
RKIS-0008-CH-M2-2	RS47C2-IAV	208-230/1/60	1	7.14	35.5	1	1/2	2.9	11.8	20
RKIS-0010-CH-M2-2	RS64C2-CAV	208-230/1/60	1	7.7	37	1	1/2	2.9	12.5	25
RKIS-0012-CH-M2-2	RS70C1-PFV	208-230/1/60	1	7	34.2	1	1/2	2.9	11.7	20
RKIS-0012-CH-M2-5	RS70C1-TFC	208-230/3/60	1	4.7	31	1	1/2	2.9	8.8	15
RKIS-0012-CH-M2-9	RS70C1-TFD	460/3/60	1	2.6	15	1	1/2	1.8	5.1	15
RKIS-0015-CH-M2-2	CR18KQ-PFV	208-230/1/60	1	9	41	1	1/2	2.9	14.2	25
RKIS-0015-CH-M2-5	CR18KQ-TF5	200-230/3/60	1	6	44.2	1	1/2	2.9	10.4	20
RKIS-0015-CH-M2-9	CR18KQ-TFD	460/3/60	1	3.07	23	1	1/2	1.8	5.6	15
RKIS-0020-CH-M2-2	CR24KQ-PFV	208-230/1/60	1	13.5	70.5	1	1/2	2.9	19.8	35
RKIS-0020-CH-M2-5	CR24KQ-TF5	200-230/3/60	1	7.5	40	1	1/2	2.9	12.3	20
RKIS-0020-CH-M2-9	CR24KQ-TFD	460/3/60	1	3.7	25	1	1/2	1.8	6.4	15
RKIS-0025-CH-M2-2	CR33KQ-PFV	208-230/1/60	1	16	75	1	1/2	2.9	22.9	40
RKIS-0025-CH-M2-5	CR33KQ-TF5	200-230/3/60	1	10.6	69	1	1/2	2.9	16.2	30
RKIS-0025-CH-M2-9	CR33KQ-TFD	460/3/60	1	4.7	31.6	1	1/2	1.8	7.7	15
RKIS-0030-CH-M2-2	CR37KQ-PFV	208-230/1/60	1	18.5	100	1	1/2	2.9	26.0	45
RKIS-0030-CH-M2-5	CR37KQ-TF5	200-230/3/60	1	11.1	85	1	1/2	2.9	16.8	30
RKIS-0030-CH-M2-9	CR37KQ-TFD	460/3/60	1	5.6	39	1	1/2	1.8	8.8	15
RKIS-0035-CH-M2-2	CR47KQ-PFV	208-230/1/60	1	24.6	132	1	1/2	2.9	33.7	60
RKIS-0035-CH-M2-5	CR47KQ-TF5	200-230/3/60	1	16	97	1	1/2	2.9	22.9	40
RKIS-0035-CH-M2-9	CR47KQ-TFD	460/3/60	1	8.2	50	1	1/2	1.8	12.1	25
RKIS-0040-CH-M2-2	CR53KQ-PFV	208-230/1/60	1	29	140	1	1/2	2.9	39.2	70
RKIS-0040-CH-M2-5	CR53KQ-TF5	200-230/3/60	1	18	107	1	1/2	2.9	25.4	45
RKIS-0040-CH-M2-9	CR53KQ-TFD	460/3/60	1	9.1	55	1	1/2	1.8	13.2	25
RKIS-0050-CH-M2-2	CRN5-0500-PFV	208-230/1/60	1	34.3	142	1	1/2	2.9	45.8	90
RKIS-0050-CH-M2-5	CRN5-0500-TF5	200-230/3/60	1	21.4	130	1	1/2	2.9	29.7	60
RKIS-0050-CH-M2-9	CRN5-0500-TFD	460/3/60	1	9.6	65	1	1/2	1.8	13.8	25
RKIS-0050-CH-M2-8	CRN5-0500-TFE	575/3/60	1	7.9	52	1	1/2	1.2	11.1	20
RKIS-0007-CH-M4-2	RS43C2E-CAV	208-230/1/60	1	5.4	24.1	1	1/2	2.9	9.7	20
RKIS-0008-CH-M4-2	RS55C2E-CAV	208-230/1/60	1	6.1	40	1	1/2	2.9	10.5	20
RKIS-0010-CH-M4-2	RS70C1E-PFV	208-230/1/60	1	7	34.2	1	1/2	2.9	11.7	20
RKIS-0010-CH-M4-5	RS70C1E-TFC	208-230/3/60	1	4.7	31	1	1/2	2.9	8.8	15
RKIS-0010-CH-M4-9	RS70C1E-TFD	460/3/60	1	2.6	15	1	1/2	1.8	5.1	15
RKIS-0015-CH-M4-2	RS97C2E-CAV	208-230/1/60	1	11	51	1	1/2	2.9	16.7	30
RKIS-0015-CH-M4-5	RS97C1E-TFC	208-230/3/60	1	7	35	1	1/2	2.9	11.7	20
RKIS-0020-CH-M4-2	CS12K6E-PFV	208-230/1/60	1	10.9	56	1	1/2	2.9	16.5	30
RKIS-0020-CH-M4-5	CS12K6E-TF5	200-230/3/60	1	7.5	51	1	1/2	2.9	12.3	20
RKIS-0025-CH-M4-2	CS14K6E-PFV	208-230/1/60	1	12.4	61	1	1/2	2.9	18.4	35
RKIS-0025-CH-M4-5	CS14K6E-TF5	200-230/3/60	1	9.1	55	1	1/2	2.9	14.3	25
RKIS-0025-CH-M4-9	CS14K6E-TFD	460/3/60	1	4.7	28	1	1/2	1.8	7.7	15
RKIS-0030-CH-M4-2	CS18K6E-PFV	208-230/1/60	1	16	82	1	1/2	2.9	22.9	40
RKIS-0030-CH-M4-5	CS18K6E-TF5	200-230/3/60	1	10.4	65.5	1	1/2	2.9	15.9	30
RKIS-0030-CH-M4-9	CS18K6E-TFD	460/3/60	1	4.7	33	1	1/2	1.8	7.7	15
RKIS-0035-CH-M4-2	CS20K6E-PFV	208-230/1/60	1	18.6	96	1	1/2	2.9	26.2	45
RKIS-0035-CH-M4-5	CS20K6E-TF5	200-230/3/60	1	11.4	75	1	1/2	2.9	17.2	30
RKIS-0035-CH-M4-9	CS20K6E-TFD	460/3/60	1	5.1	40	1	1/2	1.8	8.2	15
RKIS-0040-CH-M4-2	CS27K6E-PFV	208-230/1/60	1	23.9	121	1	1/2	2.9	32.8	60
RKIS-0040-CH-M4-5	CS27K6E-TF5	200-230/3/60	1	15.6	105	1	1/2	2.9	22.4	40
RKIS-0040-CH-M4-9	CS27K6E-TFD	460/3/60	1	7.7	52	1	1/2	1.8	11.4	20
RKIS-0050-CH-M4-2	CS33K6E-PFV	208-230/1/60	1	30.7	125	1	1/2	2.9	41.3	80
RKIS-0050-CH-M4-5	CS33K6E-TF5	200-230/3/60	1	18.7	102	1	1/2	2.9	26.3	45
RKIS-0050-CH-M4-9	CS33K6E-TFD	460/3/60	1	9.9	48	1	1/2	1.8	14.2	25
RKIS-0015-CH-L4-2	CF04K6E-PFV	208-230/1/60	1	9.6	59.2	1	1/2	2.9	14.9	25
RKIS-0015-CH-L4-5	CF04K6E-TF5	200-230/3/60	1	6.4	52	1	1/2	2.9	10.9	20
RKIS-0015-CH-L4-9	CF04K6E-TFD	460/3/60	1	3.28	26	1	1/2	1.8	5.9	15
RKIS-0020-CH-L4-2	CF06K6E-PFV	208-230/1/60	1	11.4	59.2	1	1/2	2.9	17.2	30
RKIS-0020-CH-L4-5	CF06K6E-TF5	200-230/3/60	1	7	52	1	1/2	2.9	11.7	20
RKIS-0020-CH-L4-9	CF06K6E-TFD	460/3/60	1	3.7	25.4	1	1/2	1.8	6.4	15
RKIS-0025-CH-L4-2	CF09K6E-PFV	208-230/1/60	1	16.7	87	1	1/2	2.9	23.8	45
RKIS-0025-CH-L4-5	CF09K6E-TF5	200-230/3/60	1	10.2	72.2	1	1/2	2.9	15.7	30
RKIS-0025-CH-L4-9	CF09K6E-TFD	460/3/60	1	5.5	35.8	1	1/2	1.8	8.7	15
RKIS-0030-CH-L4-2	CF12K6E-PFV	208-230/1/60	1	20.5	105	1	1/2	2.9	28.5	50
RKIS-0030-CH-L4-5	CF12K6E-TF5	200-230/3/60	1	12.3	85	1	1/2	2.9	18.3	35
RKIS-0030-CH-L4-9	CF12K6E-TFD	460/3/60	1	6.6	42	1	1/2	1.8	10.1	20



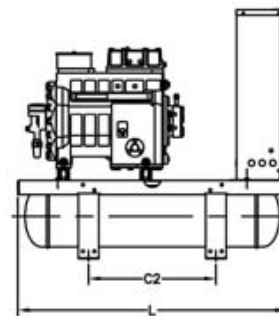
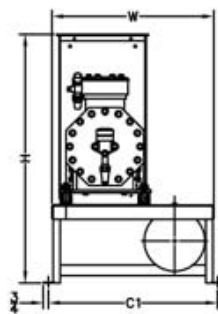
DIMENSIONAL DATA

MODEL	A	B	C	D	E	F	G
0008 @ 0015	38	36	29 1/4	25 1/4	30	34	36 3/4
0020 @ 0030	47	45	29 1/4	24 1/4	35	39	41 3/4
0035 @ 0060	47	45	39 1/4	35 1/4	35	39	45
0070 @ 0075	49	47	39 1/4	35 1/4	40	44	50
0080 @ 0120	69	67	39 1/4	35 1/4	40	44	50
0150 @ 0200	89	87	39 1/4	35 1/4	40	44	50



DIMENSIONAL DATA

MODEL	A	B	C	D	E	F	G
0250 @ 0300	147	47	96	51 3/4	55	46 1/2	48
0350 @ 0400 (1 COMP)	201	101	96	51 3/4	55	46 1/2	48
0400 (2 COMP) @ 0600	147	47	96	96 3/4	55	91 1/2	93
0700 @ 0800	201	101	96	96 3/4	55	91 1/2	93



DIMENSIONAL DATA (REMOTE UNITS)

MODEL	L	W	H	C1	C2
0008 @ 0030	38	21	41	22	18
0040 @ 0060	38	23	43 1/2	24	18
0070 @ 0100	44	23	43 1/2	24	21
0150 @ 0250	50	25	45 1/2	26	24
0270 @ 0400	60	25	45 1/2	26	30

Specification

- Base and housing:** Sturdy heavy gage galvanized steel formed base. The base also allows the contractor to install pipes clamps to secure its pipe run to the roof opening. Weather proof enclosure made of white pre-painted thick gage aluminum, rust proof hardware on unit from 0008 to 0200 and galvanized steel enclosures on unit 0250 and higher. The hood style design, when open gives full access to all the components on the outdoor units.
- Condenser coil:** The condenser coil is enclosed in a galvanized casing. The 3/8" copper rifflled tubes are mechanically expanded in self-spaced, full-collared aluminum corrugated plate fins for permanent bond and maximum heat transfer. All coils have 10 fins per inch for easy cleaning and high efficiency. A separate and efficient sub-cooling circuit is integrated at the base of the coil to provide a vapor free liquid to the metering device. Coils are pressure tested under water with 400 PSIG. They are dried with nitrogen and shipped pressurized. A factory installed fixed head pressure flooding valve (adjustable for 10 HP or more) is installed to maintain an adequate head pressure during the low ambient temperature operation, (outdoor units only). The condenser coil incorporates a friction free expansion coil design.
- Fans:** Direct driven 20" diameter fans are installed on 1/2 hp motor on units from 0008 to 0220 and 30" diameter fans are installed on 1 hp motors for model 0250 and higher. 20 inch diameter fans have 1" venturi and 30" diameter fans have 3 3/4 spun venturi to provide maximum fan efficiency and minimum noise level. Fans are protected by a baked on powder epoxy coating fan guard; each fan section is divided to prevent by-pass. Each fan is statically and dynamically balanced to provide a vibration free operation.
- Receiver:** The receiver is sized to hold the entire charge of the evaporator, condenser and liquid line refrigerant when the unit is in a pump down mode, (based on standard installations), oversized receivers are available. On outdoor units, the receiver vessel is heated and insulated to maintain an adequate pressure during the cold season. A fusible safety plug or pressure relief valve and service valves are standard on each unit.
- Controls:** Located in a sturdy galvanized steel enclosure, built to provide an easy access to every component, the control panel contains all the electrical devices such as contactors, fuses, timer, compressor time delay relay, terminal block etc, standard and optional controls. A pump down switch is mounted on the side of the box to be operated without the need to open the enclosure.
- Piping:** Hard drawn copper pipes and vibration absorber are used in every condensing unit with semi-hermetic compressor.
- Compressor:** Kool-Air will select the most efficient compressors, from a wide range of manufacturer to perform the work. Adjustable dual pressure controls (with flexible hoses), crankcase heater (outdoor unit), rubber or spring mounts are standard equipment. On some compressors oil level sight glass, oil pump, oil failure switch, internal overheat protection, suction and discharge valves are standard when required.



HEAD OFFICE:
REFRIGERATION KOOL-AIR INC.

Quebec, Canada

Tel: (450) 346-5007 • Toll free: 1-866-346-5007 • Fax: (450) 346-7631

Email: kool-air@kool-air-inc.com • Web site: www.kool-air-inc.com

Due to Kool-Air policies to continuously improve the quality of its products, specifications are subject to change without notice